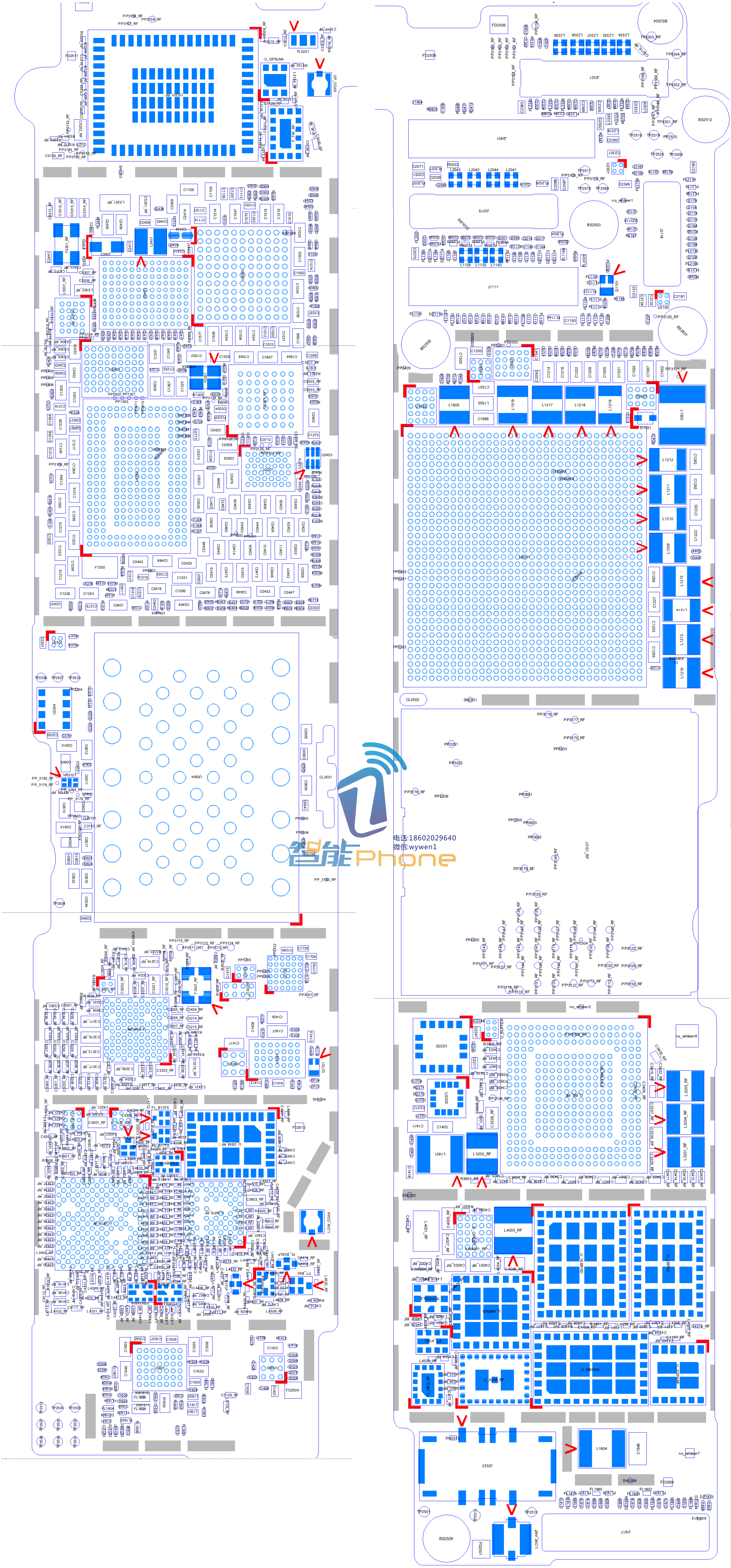


iphone6 4.7



1. ALL RESISTANCE VALUES ARE IN OHMS, 0.1 WATT +/- 5%.
2. ALL CAPACITANCE VALUES ARE IN MICROFARADS.
3. ALL CRYSTALS & OSCILLATOR VALUES ARE IN HERTZ.

Thu Apr 17 17:11:44 2014

REV	ECN	DESCRIPTION OF REVISION	CK APPD	DATE
7	0002727241	ENGINEERING RELEASED		2014-04-18

N61 CARRIER BUILD

PDF PAGE	CONTENTS		
2	SOC:MAIN	N56_MLB	08/29/2013
3	SOC:I/OS	N56_MLB	08/29/2013
4	SOC:VDDCA,VDD1/2,VDD,VDD_CPU,VDD_GPU	N56_MLB	08/29/2013
5	SOC:GND,VDDIO18,VDDIOD,VDD_VAR_SOC	N56_MLB	08/29/2013
6	SOC:NAND	N56_MLB	08/29/2013
7	SOC:CAM,LCD,LDPDP,PCIE	N56_MLB	08/29/2013
8	IO:BUTTON FLEX CONN	N61_MLB	08/26/2013
9	AUDIO:L67 CODEC (1/2)	N61_MLB	08/26/2013
10	AUDIO:L67 CODEC (2/2)	N61_MLB	08/26/2013
11	CAMERA:FRONT FLEX CONN	N61_MLB	08/26/2013
12	POWER:ADI (1/2)	N56_MLB	08/29/2013
13	POWER:ADI (2/2)	N56_MLB	08/29/2013
14	POWER:TIGRIS,VIBE DRIVER	N61_MLB	08/21/2013
15	DISPLAY:CHESTNUT,BACKLIGHT DRIVER	N61_MLB	08/26/2013
16	AUDIO:SPKR AMP,STROBE	N61_MLB	08/26/2013
17	IO:TRISTAR2	N61_MLB	08/26/2013
18	IO:DOCK FLEX CONN	N61_MLB	08/26/2013
19	SENSORS:COMPASS	N61_MLB	08/26/2013
20	DISPLAY:FLEX CONN	N61_MLB	08/26/2013
21	SENSORS:MESA FLEX CONN	N61_MLB	08/26/2013
22	SENSORS:OSCAR,CARBON,PHOS,MAGNESIUM	N61_MLB	08/26/2013
23	CAMERA:REAR FLEX CONN	N61_MLB	08/26/2013
24	TOUCH:CUMULUS,MESON	N/A	N/A
25	POWER:BATT CONN,TPS,PD FEATURES	N61_MLB	08/26/2013
26	SYSTEM:VOLTAGE PROPERTIES	N56_MLB	09/10/2013
27	SYSTEM:N61 SPECIFIC	N56_MLB	09/10/2013
28	BLANK	N56_MLB	09/10/2013
29	CELL:ALIASES		
30	AP INTERFACE & DEBUG CONNECTORS	N61_RADIO_MLB	03/24/2014
31	BASEBAND PMU (1 OF 2)	N61_RADIO_MLB	03/24/2014
32	BASEBAND PMU (2 OF 2)	N61_RADIO_MLB	03/24/2014
33	BASEBAND (1 OF 2)	N61_RADIO_MLB	03/24/2014
34	BASEBAND (1 OF 2)	N61_RADIO_MLB	03/24/2014
35	MOBILE DATA MODEM (2 OF 2)	N61_RADIO_MLB	03/24/2014
36	RF TRANSCEIVER (1 OF 3)	N61_RADIO_MLB	03/24/2014
37	RF TRANSCEIVER (2 OF 3)	N61_RADIO_MLB	03/24/2014
38	RF TRANSCEIVER (3 OF 3)	N61_RADIO_MLB	03/24/2014
39	QFE DCDC	N61_RADIO_MLB	03/24/2014
40	2G PA	N61_RADIO_MLB	03/24/2014
41	VERY LOW BAND PAD	N61_RADIO_MLB	03/24/2014
42	LOW BAND PAD	N61_RADIO_MLB	03/24/2014
43	MID BAND PAD	N61_RADIO_MLB	03/24/2014
44	HIGH BAND PAD	N61_RADIO_MLB	03/24/2014
45	ANTENNA SWITCH	N61_RADIO_MLB	03/24/2014
46	HIGH BAND SWITCH	N61_RADIO_MLB	03/24/2014
47	RX DIVERSITY	N61_RADIO_MLB	03/24/2014
48	GPS	N61_RADIO_MLB	03/24/2014
49	GPS	N61_RADIO_MLB	03/24/2014
50	ANTENNA FEEDS	N61_RADIO_MLB	03/24/2014
51	WIFI/BT: MODULE AND FRONT END	N61_RADIO_MLB	03/24/2014
52		N61_RADIO_MLB	03/24/2014
53	JUMPER	N61_RADIO_MLB	03/24/2014
54	JUMPER	N61_RADIO_MLB	03/24/2014

NAND BOM OPTIONS

PART#	QTY	DESCRIPTION	REFERENCE DESIGNATOR(S)	CRITICAL	BOM OPTION
335S0998	1	NAND,19NM,16GX8,MLC,PPN1.5	U0604	CRITICAL	NAND_16G
335S0993	1	NAND,19NM,32GX8,MLC,PPN1.5	U0604	CRITICAL	NAND_32G
335S0994	1	NAND,19NM,64GX8,MLC,PPN1.5	U0604	CRITICAL	NAND_64G
335S00010	1	NAND,19NM,128GX8,TLC,PPN1.5	U0604	CRITICAL	NAND_128G
138S0867	1	CAP,XSR,10UF,20%,6.3V,0.65MM,HRTZ,0402	C0610,C0611,C0614,C0634	CRITICAL	NAND_16G
138S0867	1	CAP,XSR,10UF,20%,6.3V,0.65MM,HRTZ,0402	C0613,C0633,C0610,C0611,C0614,C0634	CRITICAL	NAND_32G & NAND_64G
138S00003	1	CAP,XSR,15UF,20%,6.3V,0.65MM,HRTZ,0402	C0613,C0633,C0610,C0611,C0614,C0634	CRITICAL	NAND_128G

ALTERNATE NAND BOM OPTIONS

PART NUMBER	ALTERNATE FOR PART NUMBER	BOM OPTION	REF DES	COMMENTS
335S0992	335S0998	ALTERNATE	J0604	TOSHIBA,NAND,16GB
335S1038	335S0998	ALTERNATE	J0604	HYNIX,NAND,16GB
335S1040	335S0994	ALTERNATE	J0604	HYNIX,NAND,64GB
335S00014	335S0994	ALTERNATE	J0604	TOSHIBA,NAND,64GB
335S00015	335S00010	ALTERNATE	J0604	TOSHIBA,NAND128GB
335S00009	335S0994	ALTERNATE	J0604	SANDISK,NAND,64GB,TLC

SHIELD BOM OPTIONS

PART#	QTY	DESCRIPTION	REFERENCE DESIGNATOR(S)	CRITICAL	BOM OPTION
604-00241	1	SUBASSEMBLY,SHIELD,UPPER FRONT,N61	SH2501	CRITICAL	COMMON
604-00242	1	SUBASSEMBLY,SHIELD,LOWER FRONT,N61	SH2502	CRITICAL	COMMON
604-00243	1	SUBASSEMBLY,SHIELD,LOWER BACK,N61	SH2504	CRITICAL	COMMON
604-00244	1	SUBASSEMBLY,SA SHIELD,N61	SH2506	CRITICAL	COMMON

N61 BOM CALLOUTS

PART#	QTY	DESCRIPTION	REFERENCE DESIGNATOR(S)	CRITICAL	BOM OPTION
051-9903	1	SCH,MLB,N61	SCH	CRITICAL	?
820-3486	1	PCBF,MLB,N61	PCB	CRITICAL	?
825-6838	1	EEEE FOR 639-4237 16GB	EEEE_G16T	CRITICAL	EEEE_16G
825-6838	1	EEEE FOR 639-5838 32GB	EEEE_G16R	CRITICAL	EEEE_32G
825-6838	1	EEEE FOR 639-5839 64GB	EEEE_G16Q	CRITICAL	EEEE_64G
825-6838	1	EEEE FOR 639-00025 128GB	EEEE_G16N	CRITICAL	EEEE_128G
825-6838	1	EEEE FOR 639-00208 16GB	EEEE_F98F	CRITICAL	EEEE_16G_TDDLTE
825-6838	1	EEEE FOR 639-00209 32GB	EEEE_FQKQ	CRITICAL	EEEE_32G_TDDLTE
825-6838	1	EEEE FOR 639-00210 64GB	EEEE_FQJY	CRITICAL	EEEE_64G_TDDLTE
825-6838	1	EEEE FOR 639-00212 128GB	EEEE_FY9W	CRITICAL	EEEE_128G_TLC_TDDLTE

ALTERNATE BOM OPTIONS

PART NUMBER	ALTERNATE FOR PART NUMBER	BOM OPTION	REF DES	COMMENTS
152S1844	152S1836	ALTERNATE	L1604	TY ALT INDUCTOR
152S1842	152S1849	ALTERNATE	L1519	TY ALT INDUCTOR
197S0392	197S0369	ALTERNATE	Y1200	ESRON ALT XTAL
197S0399	197S0369	ALTERNATE	Y1200	NDK ALT XTAL
338S1285	338S1202	ALTERNATE	U1601	L21 SPKAMP
152S2034	152S2033	ALTERNATE		1.2MM 1.0UH, CYNTEC
152S00004	152S2049	ALTERNATE		1.2MM 0.47UH, CYNTEC
339S00005	339S0246	ALTERNATE	U0201	FIJI, B0, SAMSUNG
339S0247	339S0246	ALTERNATE	U0201	FIJI, B0, HYNIX
339S00006	339S0246	ALTERNATE	U0201	FIJI, B1, E
339S00007	339S0246	ALTERNATE	U0201	FIJI, B1, H
339S00008	339S0246	ALTERNATE	U0201	FIJI, B1, S
155S0773	155S0453	ALTERNATE		TY 1200HM FERRITE
118S0764	118S0717	ALTERNATE	R1309	3.92KOHM, 01005
343S0688	343S0638	ALTERNATE	U2401	CUMULUS C1, FAB4
138S00005	138S00003	ALTERNATE	C1290	15UF,0402,HRTZL CAP
155S00011	155S00008	ALTERNATE	L1135	CMC,90OHM,MURATA
377S0168	377S0140	ALTERNATE	DZ1113	SUPPL TRANS,VARISTOR,AMOTECH
155S0895	155S0610	ALTERNATE	FL1802,FL1809	FRDR 80,1500NM,200NM,01005
138S0648	138S0652	ALTERNATE	C1018	CAP,4.7UF,20%,6.3V,0402,8=0.65MM
138S0657	138S0702	ALTERNATE	C1106	CAP,4.7UF,20%,6.3V,0402
338S00028	338S00017	ALTERNATE	J2203	CARBON,BOBCH,BMI162BC
338S00029	338S00017	ALTERNATE	J2203	CARBON,ST,AP60S2AA
335S00013	335S0894	ALTERNATE	J0301	ST BK REPRCM

广西南宁功夫手机维修培训
修一切苹果 **招天下学生**
十年一线维修经验及教学经验

让学员们快速学会维修技术及原理分析
详情请加:
QQ: 343974077 翁老师电话:13737083768
QQ: 344106191 王老师电话:13737070888

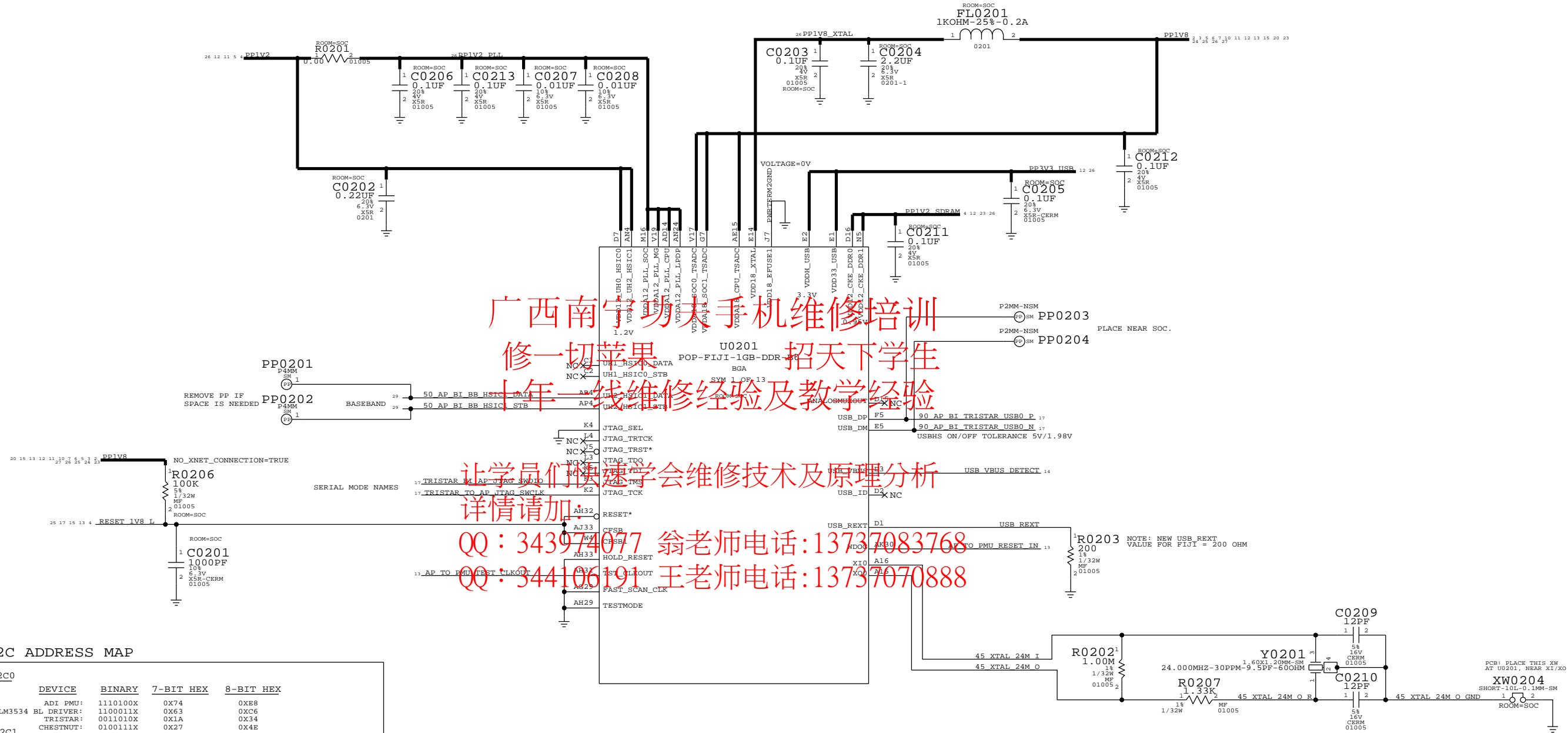
SCH 051-9903
BRD 820-3486
MCO 056-6825

BOM 639-4237 (16GB,BETTER) BOM 639-00208 (16GB,BETTER,DTD)
BOM 639-5838 (32GB,BEST) BOM 639-00209 (32GB,BEST,DTD)
BOM 639-5839 (64GB,ULTRA) BOM 639-00210 (64GB,ULTRA,DTD)

BOM 639-00025(128GB,SUPREME,TLC) BOM 639-00212(128GB,SUPREME,TLC,DTD)

DRAWING TITLE		SCHEM,MLB,N61	
Apple Inc.	DRAWING NUMBER	051-9903	SIZE
	REVISION	7.0.0	D
NOTICE OF PROPRIETARY PROPERTY:		BRANCH	
THE INFORMATION CONTAINED HEREIN IS THE PROPRIETARY PROPERTY OF APPLE INC. THE POSSESSOR AGREES TO THE FOLLOWING:		PAGE	1 OF 55
I TO MAINTAIN THIS DOCUMENT IN CONFIDENCE		SHEET	1 OF 54
II NOT TO REPRODUCE OR COPY IT			
III NOT TO REVEAL OR PUBLISH IT IN WHOLE OR PART			
IV ALL RIGHTS RESERVED			

FIJI: JTAG, USB, HSIC, XTAL



广西南宁功夫手机维修培训
修一切苹果 招天下学生
十年一线维修经验及教学经验

让学员们快速学会维修技术及原理分析
详情请加:
QQ: 343974077 翁老师电话: 13737083768
QQ: 344106191 王老师电话: 13737070888

I2C ADDRESS MAP

I2C0	DEVICE	BINARY	7-BIT HEX	8-BIT HEX
I2C0	ADI PMU:	1110100X	0X74	0XE8
	LM3534 BL DRIVER:	1100011X	0X63	0XC6
	TRISTAR:	0011010X	0X1A	0X34
	CHESTNUT:	0100111X	0X27	0X4E
I2C1	TIGRIS CHARGER:	1110101X	0X75	0XEA
	LINEAR VIBE:	1011010X	0X5A	0XB4
	CS35L19B AMP:	1000000X	0X40	0X80
	MESA EEPROM (MEMORY):	1010110X	0X56	0XAC
	MESA EEPROM (ID):	1011110X	0X5E	0XBC
I2C2	CT814 ALS:	0101001X	0X29	0X52
	DISPLAY EEPROM:	1010001X	0X51	0XA2
RCAM I2C	OPEL STROBE DRIVER:	1100011X	0X63	0XC6
	REAR FACING CAM:	0010000X	0X10	0X20
	VCM AF DRIVER:	0001100X	0X0C	0X18
FCAM I2C	FRONT FACING CAM:	0010000X	0X10	0X20

NOTE: ACCEL, GYRO, COMPASS ALL USING SPI (VIA OSCAR) FOR AP COMMUNICATION.

SYNC MASTER=N56 MLB SYNC DATE=08/29/2013

SOC:MAIN

Apple Inc.

DRAWING NUMBER: 051-9903 SIZE: D

REVISION: 7.0.0

NOTICE OF PROPRIETARY PROPERTY:

THE INFORMATION CONTAINED HEREIN IS THE PROPRIETARY PROPERTY OF APPLE INC. THE POSSESSOR AGREES TO THE FOLLOWING:

I TO MAINTAIN THIS DOCUMENT IN CONFIDENCE

II NOT TO REPRODUCE OR COPY IT

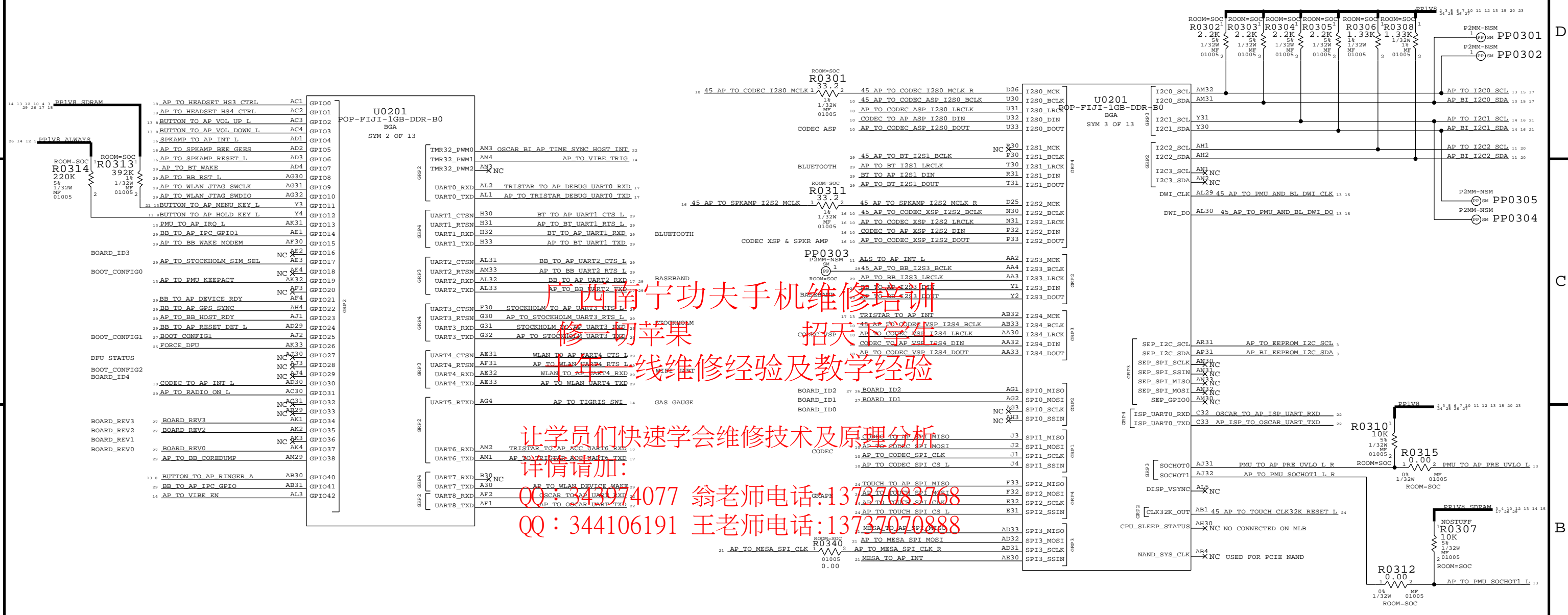
III NOT TO REVEAL OR PUBLISH IT IN WHOLE OR PART

IV ALL RIGHTS RESERVED

PAGE: 2 OF 55

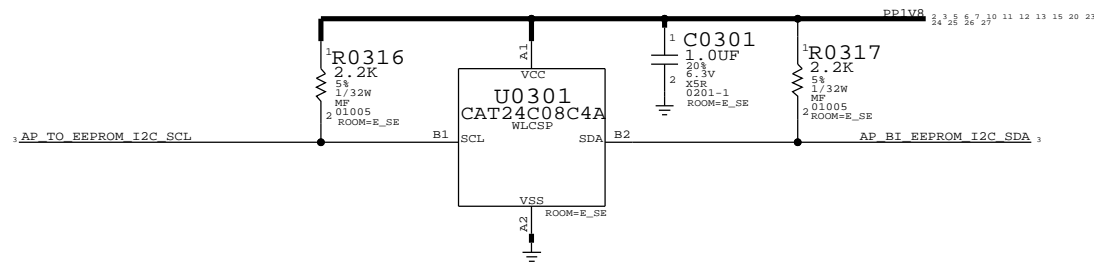
SHEET: 2 OF 54

FIJI: DIGITAL I/O, BOOTSTRAPPING



ANTI-ROLLBACK EEPROM
ONSEMI EEPROM
APN: 335S0894

REMOVED HOLD + MENU KEY
BUFFERS SINCE NOT NEEDED FOR FIJI



广西南宁功夫手机维修培训
 招天下学生
 修一切苹果
 手机维修经验及教学经验
 让学员们快速学会维修技术及原理分析
 详情请加:
 QQ: 342974077 翁老师电话: 13737083708
 QQ: 344106191 王老师电话: 13737070888

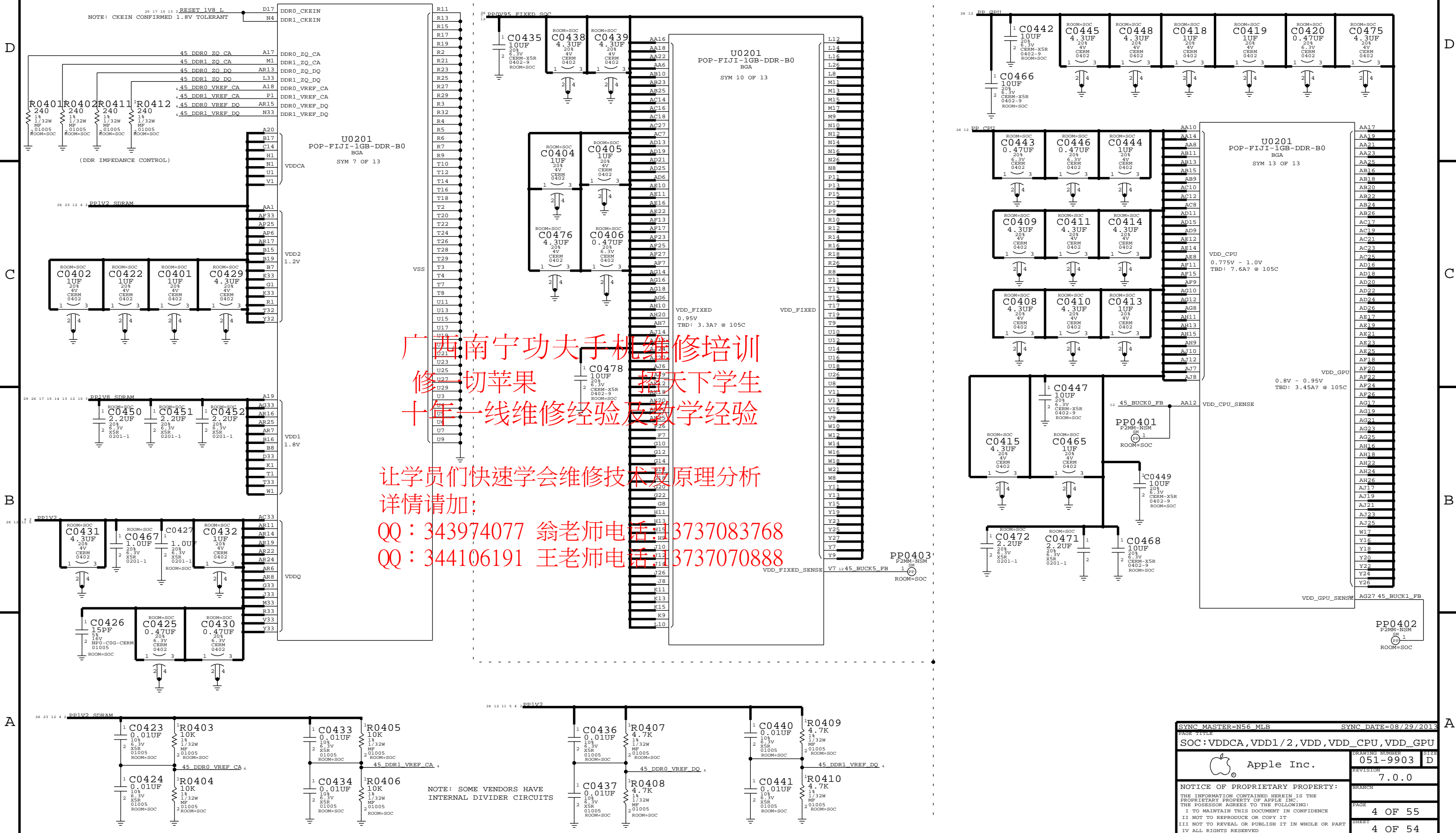
SYNC MASTER=N56 MLB		SYNC DATE=08/29/2013	
SOC: I/O/S			
Apple Inc.		DRAWING NUMBER	SIZE
		051-9903	D
		REVISION	
		7.0.0	
NOTICE OF PROPRIETARY PROPERTY:		BRANCH	
THE INFORMATION CONTAINED HEREIN IS THE PROPRIETARY PROPERTY OF APPLE INC. THE POSSESSOR AGREES TO THE FOLLOWING:		PAGE	
I TO MAINTAIN THIS DOCUMENT IN CONFIDENCE		3 OF 55	
II NOT TO REPRODUCE OR COPY IT		SHEET	
III NOT TO REVEAL OR PUBLISH IT IN WHOLE OR PART		3 OF 54	
IV ALL RIGHTS RESERVED			

FIJI: VDDCA, VDD1/2, VDDQ, VDD, VDD_FIXED, VDD_CPU, VDD_GPU

VDDCA, VDD1/2, VDDQ

VDD

VDD_CPU, VDD_GPU



广西南宁功夫手机维修培训
修一切苹果 招天下学生
十年一线维修经验及教学经验

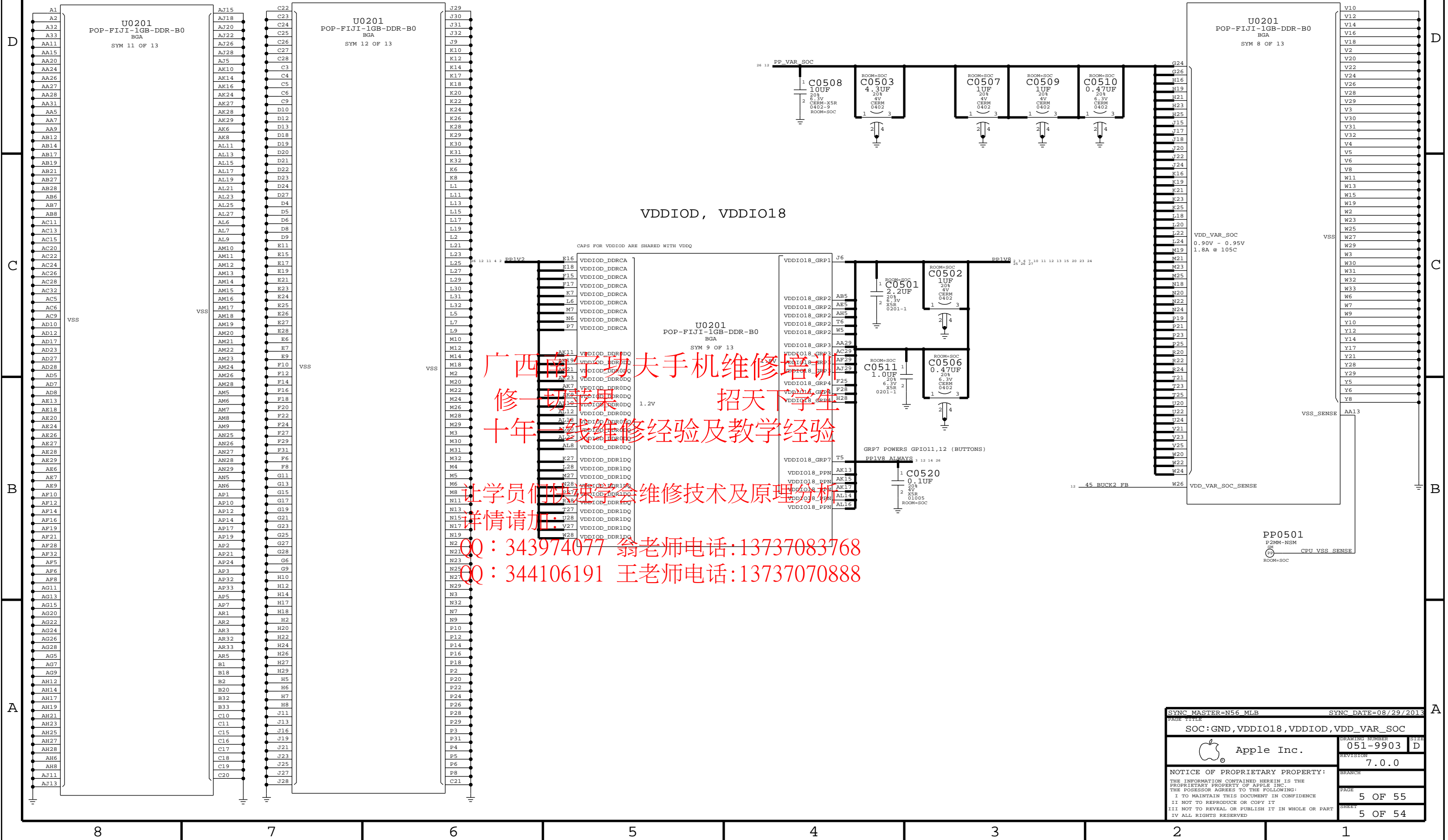
让学员们快速学会维修技术及原理分析
详情请加:
QQ: 343974077 翁老师电话: 13737083768
QQ: 344106191 王老师电话: 13737070888

SYNC MASTER=N56 MLB		SYNC DATE=08/29/2013	
PAGE TITLE			
SOC: VDDCA, VDD1/2, VDD, VDD_CPU, VDD_GPU			
Apple Inc.		DRAWING NUMBER	SIZE
		051-9903	D
		REVISION	
		7.0.0	
NOTICE OF PROPRIETARY PROPERTY:			
THE INFORMATION CONTAINED HEREIN IS THE PROPRIETARY PROPERTY OF APPLE INC. THE POSSESSOR AGREES TO THE FOLLOWING:			
I TO MAINTAIN THIS DOCUMENT IN CONFIDENCE			
II NOT TO REPRODUCE OR COPY IT			
III NOT TO REVEAL OR PUBLISH IT IN WHOLE OR PART			
IV ALL RIGHTS RESERVED			
		PAGE	4 OF 55
		SHEET	4 OF 54

FIJI: VDDIOD, VDDIO18, VDD_VAR_SOC

JUST A FEW GNDS

VDD_SRAM, VDD_SOC



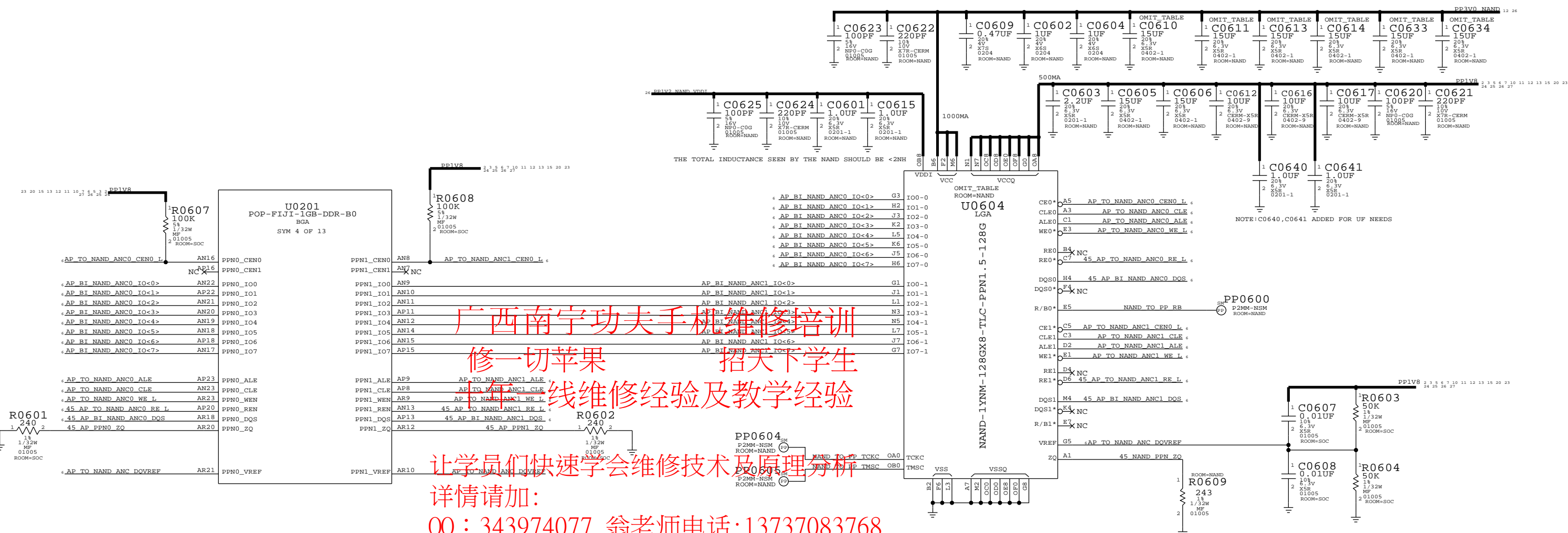
广西南宁平功夫手机维修培训
 修一切苹果 招天下学生
 十年一线维修经验及教学经验

让学员们快速学会维修技术及原理
 详情请加：
 QQ: 343974077 翁老师电话: 13737083768
 QQ: 344106191 王老师电话: 13737070888

SYNC MASTER=N56_MLB		SYNC DATE=08/29/2013	
PAGE TITLE SOC: GND, VDDIO18, VDDIOD, VDD_VAR_SOC			
Apple Inc.		DRAWING NUMBER 051-9903	SIZE D
NOTICE OF PROPRIETARY PROPERTY: THE INFORMATION CONTAINED HEREIN IS THE PROPRIETARY PROPERTY OF APPLE INC. THE POSSESSOR AGREES TO THE FOLLOWING: I TO MAINTAIN THIS DOCUMENT IN CONFIDENCE II NOT TO REPRODUCE OR COPY IT III NOT TO REVEAL OR PUBLISH IT IN WHOLE OR PART IV ALL RIGHTS RESERVED		REVISION 7.0.0	BRANCH
		PAGE 5 OF 55	SHEET 5 OF 54

FIJI: NAND + 12X17 NAND PKG

SUPPORT FOR PPN1.5 (1.8V IO) ONLY

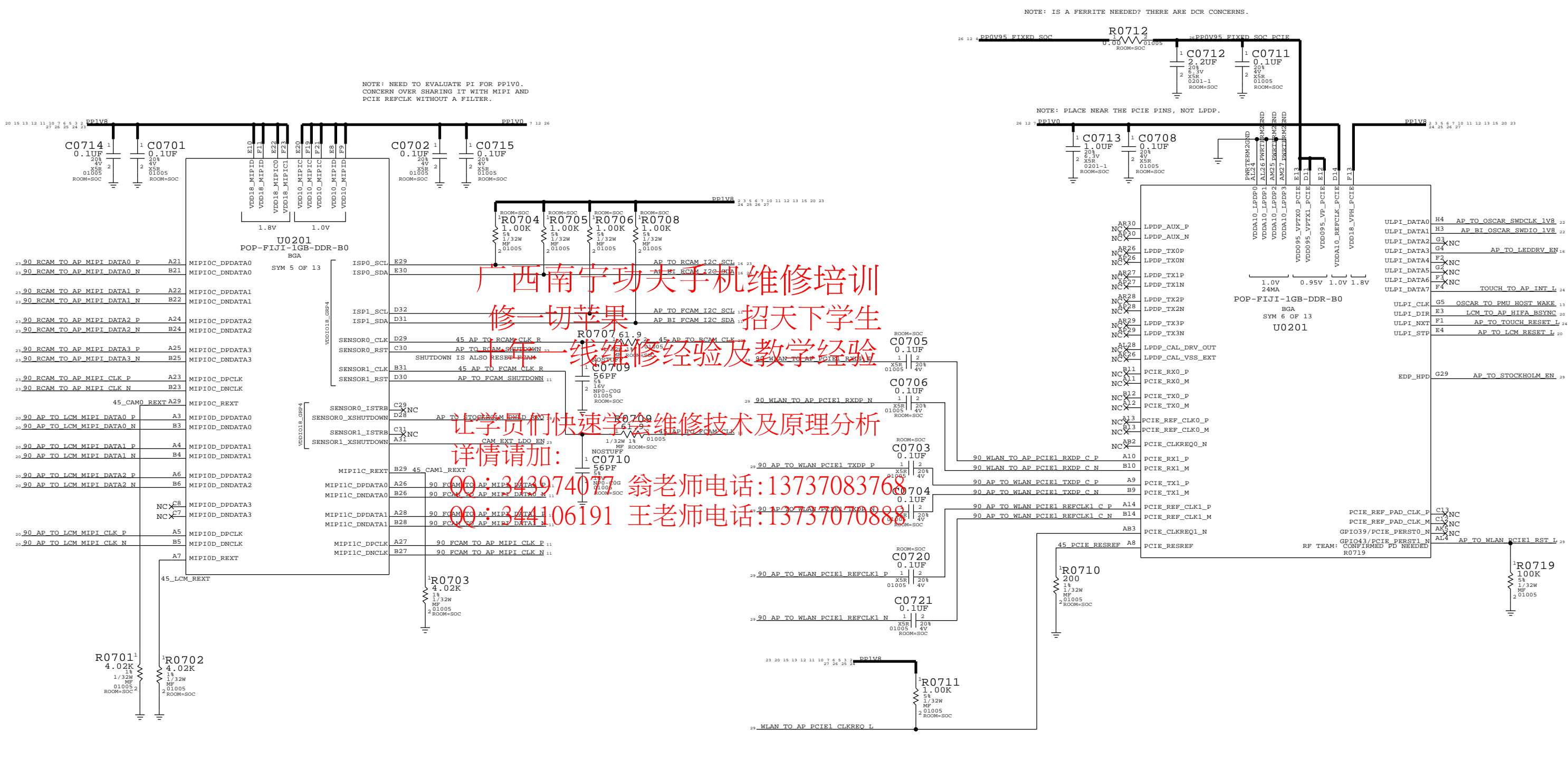


广西南宁功夫手机维修培训
 修一切苹果 招天下学生
 十年维修经验及教学经验
 让学员们快速学会维修技术及原理分析
 详情请加:
 QQ: 343974077 翁老师电话: 13737083768
 QQ: 344106191 王老师电话: 13737070888

PP0601 P4MM NOTE: IO<6> PREFERRED BY MATT BYOM (N51) (IS A STATUS READY BIT)
 ROOM=SOC 1 AP BI NAND ANCO IO<6>
 PP0602 P4MM
 ROOM=SOC 1 45 AP TO NAND ANCO RE L
 PP0603 P4MM
 ROOM=SOC 1 45 AP BI NAND ANCO DQS

SYNC MASTER=N56 MLB		SYNC DATE=08/29/2013	
SOC: NAND			
Apple Inc.		DRAWING NUMBER	SIZE
		051-9903	D
		REVISION	
		7.0.0	
NOTICE OF PROPRIETARY PROPERTY:			
THE INFORMATION CONTAINED HEREIN IS THE PROPRIETARY PROPERTY OF APPLE INC. THE POSSESSOR AGREES TO THE FOLLOWING:			
I TO MAINTAIN THIS DOCUMENT IN CONFIDENCE		BRANCH	
II NOT TO REPRODUCE OR COPY IT		PAGE	6 OF 55
III NOT TO REVEAL OR PUBLISH IT IN WHOLE OR PART		SHEET	6 OF 54
IV ALL RIGHTS RESERVED			

FIJI: HIGH SPEED DIG (CAM, LCD, LPDP, PCIE)

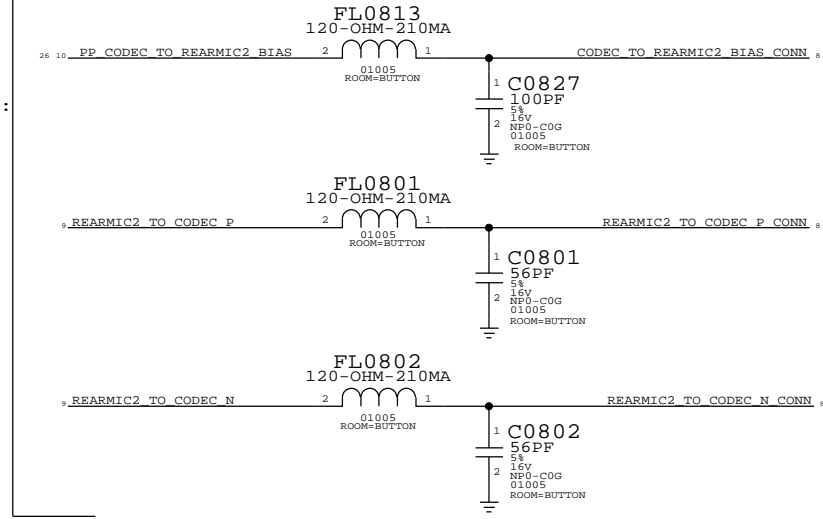


广西南宁功夫手机维修培训
 修一切苹果
 十年一线维修经验及教学经验
 招天下学生
 让学员们快速学会维修技术及原理分析
 详情请加:
 QQ: 343974077 翁老师电话: 13737083768
 QQ: 344106191 王老师电话: 13737070888

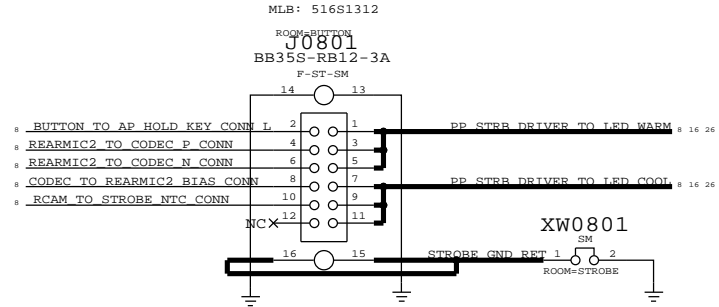
SYNC MASTER=N56 MLB		SYNC DATE=08/29/2013	
PAGE TITLE SOC: CAM, LCD, LPDP, PCIE			
Apple Inc.	DRAWING NUMBER	051-9903	SIZE D
	REVISION	7.0.0	
NOTICE OF PROPRIETARY PROPERTY:		BRANCH	
THE INFORMATION CONTAINED HEREIN IS THE PROPRIETARY PROPERTY OF APPLE INC. THE POSSESSOR AGREES TO THE FOLLOWING:		PAGE	7 OF 55
I TO MAINTAIN THIS DOCUMENT IN CONFIDENCE		SHEET	7 OF 54
II NOT TO REPRODUCE OR COPY IT			
III NOT TO REVEAL OR PUBLISH IT IN WHOLE OR PART			
IV ALL RIGHTS RESERVED			

BUTTON FLEX (BUTTONS, ANC REF MIC, STROBE, STROBE_NTC, WIFI FLEX PAC)

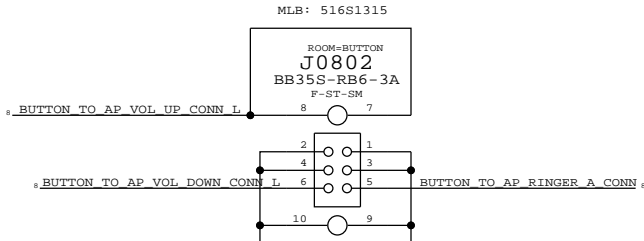
MIC2 (ANC REF MIC):
MIC2/4 BIAS,
MIC2_P,_N



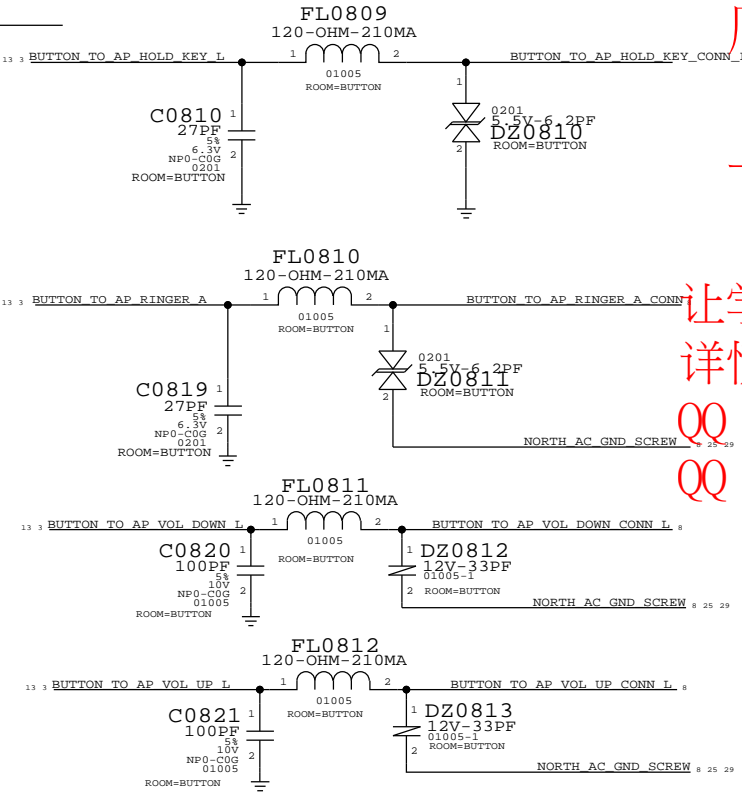
RIGHT BUTTON B2B



LEFT BUTTON B2B

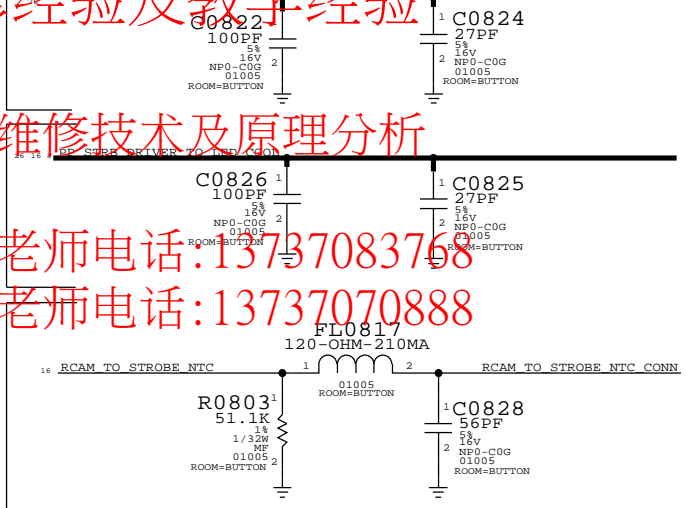


广西南宁功夫手机维修培训
修一切苹果 招天下学生
十年一线维修经验及教学经验



BUTTONS:
RINGER, HOLD,
VOL_UP/DOWN,

让学员们快速学会维修技术及原理分析
详情请加:
QQ: 343974077 翁老师电话: 13737083768
QQ: 344106191 王老师电话: 13737070888



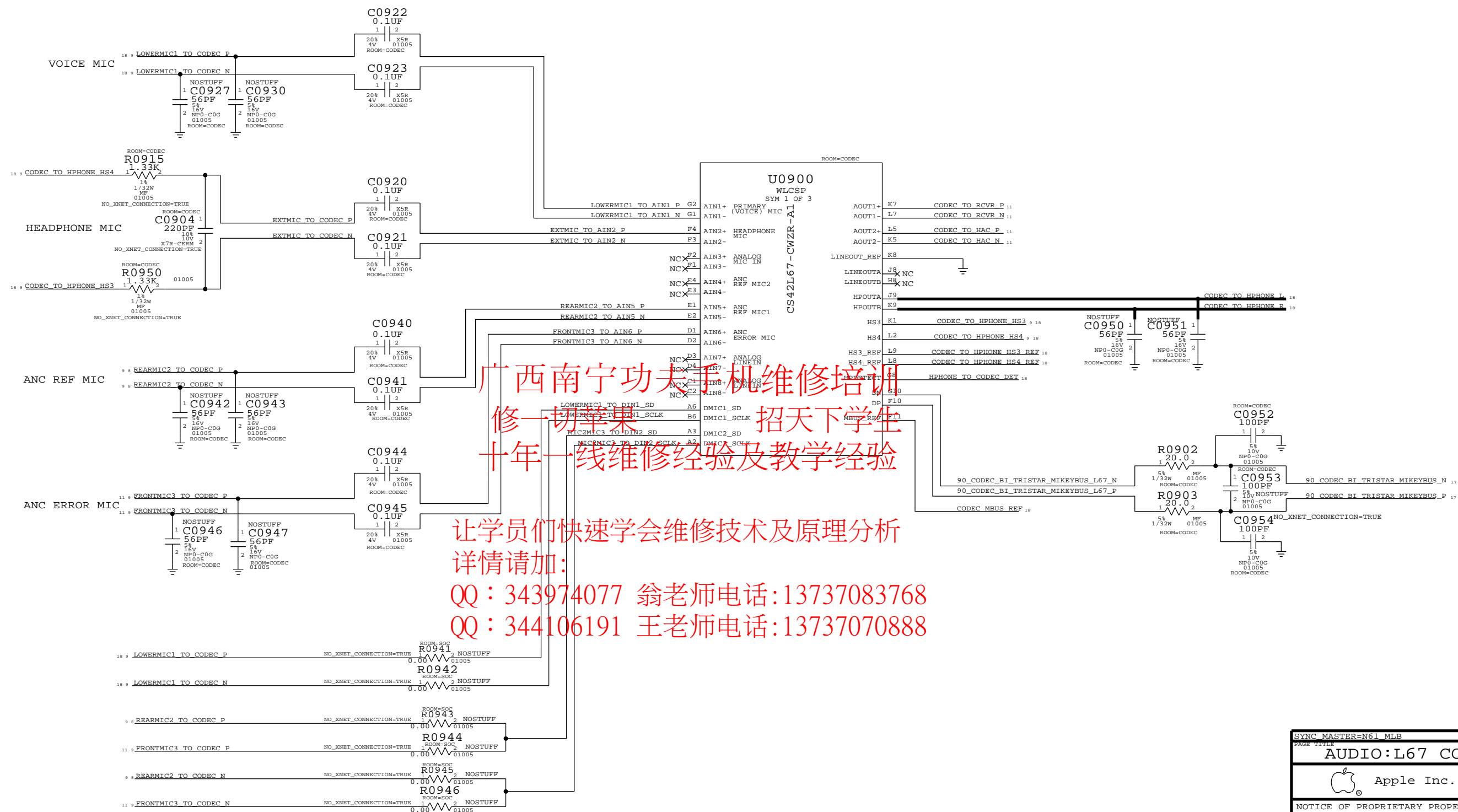
STROBE:
LED WARM
LED COOL
NTC

SYNC MASTER=N61_MLB		SYNC DATE=08/26/2013	
PAGE TITLE IO:BUTTON FLEX CONN			
DRAWING NUMBER 051-9903		SIZE D	
REVISION 7.0.0		BRANCH	
NOTICE OF PROPRIETARY PROPERTY: THE INFORMATION CONTAINED HEREIN IS THE PROPRIETARY PROPERTY OF APPLE INC. THE POSSESSOR AGREES TO THE FOLLOWING: I TO MAINTAIN THIS DOCUMENT IN CONFIDENCE II NOT TO REPRODUCE OR COPY IT III NOT TO REVEAL OR PUBLISH IT IN WHOLE OR PART IV ALL RIGHTS RESERVED			
PAGE 8 OF 55		SHEET 8 OF 54	

L67 AUDIO CODEC

AUDIO I/O

(ANALOG MIC IN, DIG MIC IN, HPOUT, LINEOUT, RECEIVER OUT, MIKEYBUS)



广西南宁功夫手机维修培训
修一切苹果 招天下学生
十年一线维修经验及教学经验

让学员们快速学会维修技术及原理分析
详情请加：
QQ：343974077 翁老师电话：13737083768
QQ：344106191 王老师电话：13737070888

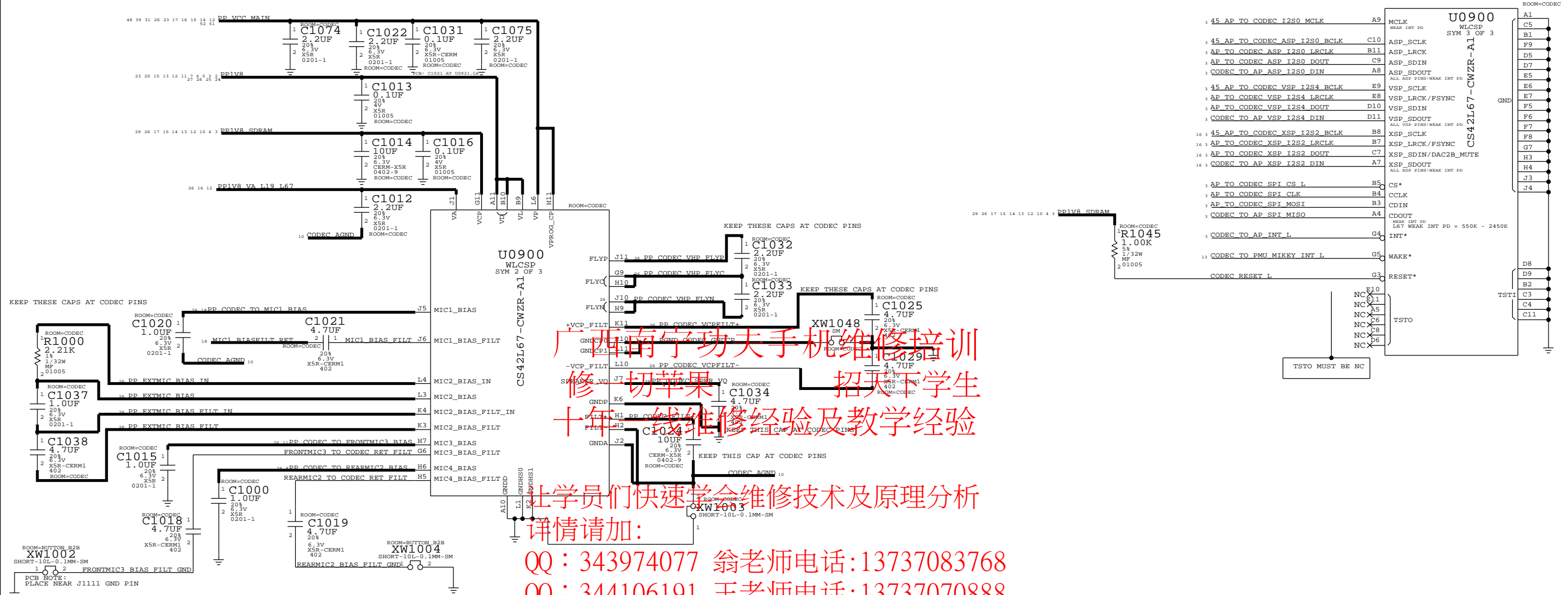
SYNC MASTER=N61 MLB		SYNC DATE=08/26/2013	
PAGE TITLE			
AUDIO:L67 CODEC (1/2)		DRAWING NUMBER	051-9903
Apple Inc.		REVISION	7.0.0
NOTICE OF PROPRIETARY PROPERTY:		BRANCH	
THE INFORMATION CONTAINED HEREIN IS THE PROPRIETARY PROPERTY OF APPLE INC. THE POSSESSOR AGREES TO THE FOLLOWING:		PAGE	9 OF 55
I TO MAINTAIN THIS DOCUMENT IN CONFIDENCE		SHEET	9 OF 54
II NOT TO REPRODUCE OR COPY IT			
III NOT TO REVEAL OR PUBLISH IT IN WHOLE OR PART			
IV ALL RIGHTS RESERVED			

L67 AUDIO CODEC

POWER, MICBIAS

DIGITAL SYSTEM I/O

NOTE: C1022 WAS REDUCED TO 2.2UF BECAUSE OF ADDITIONAL NEARBY VCC MAIN CAPS



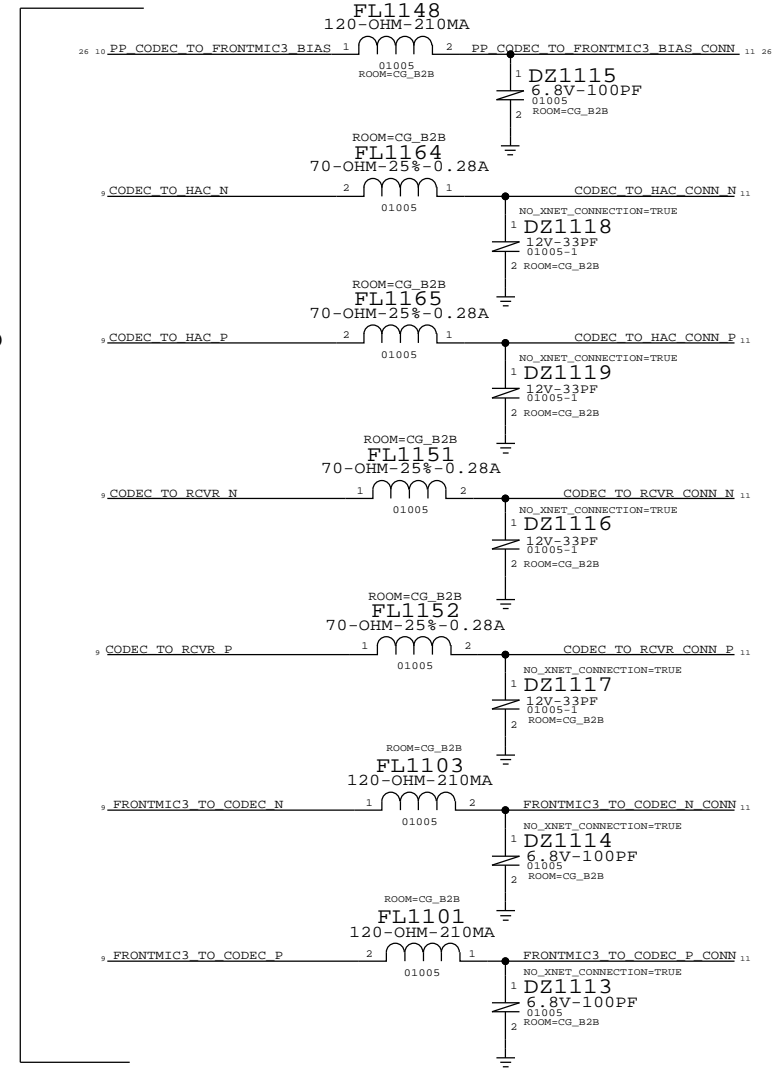
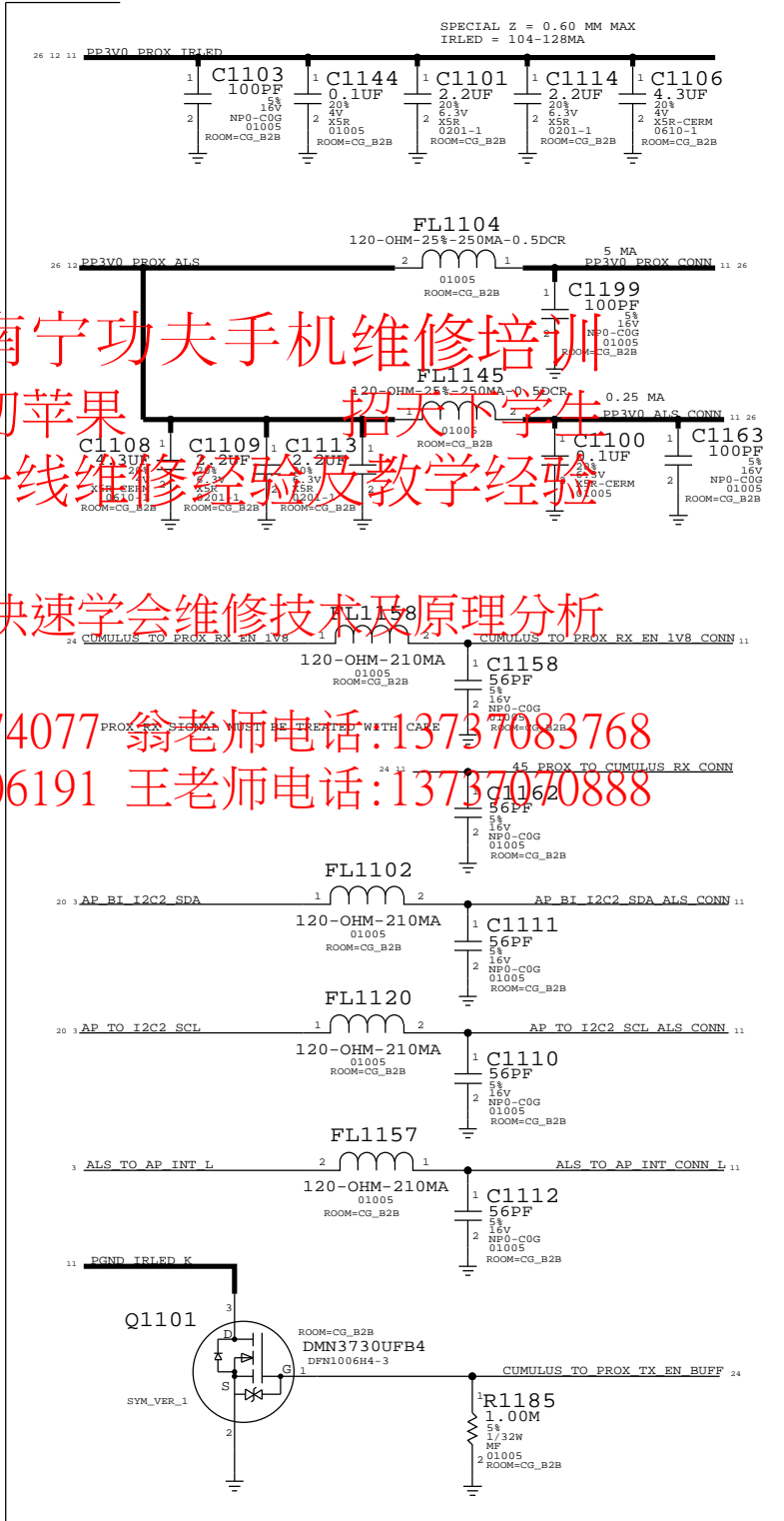
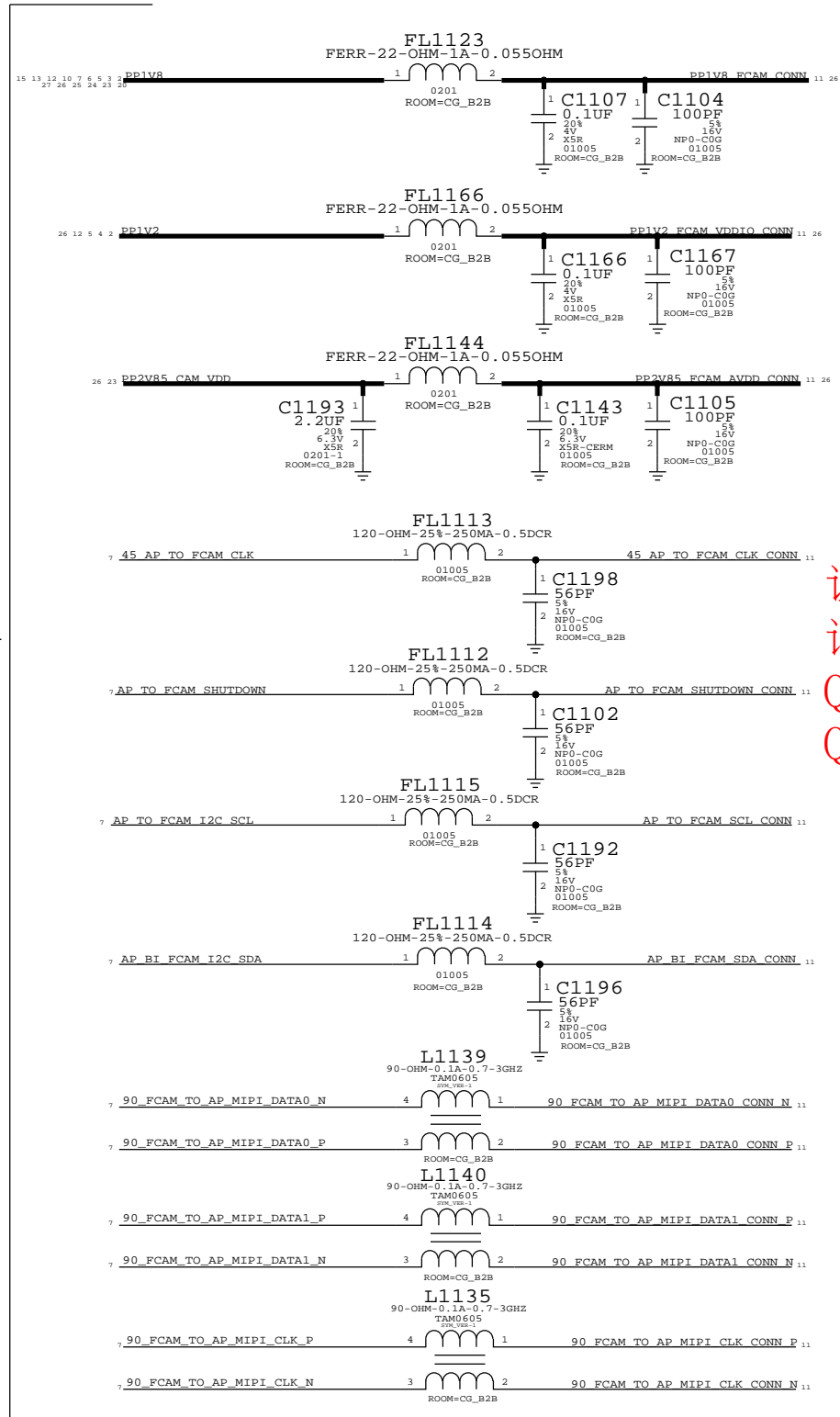
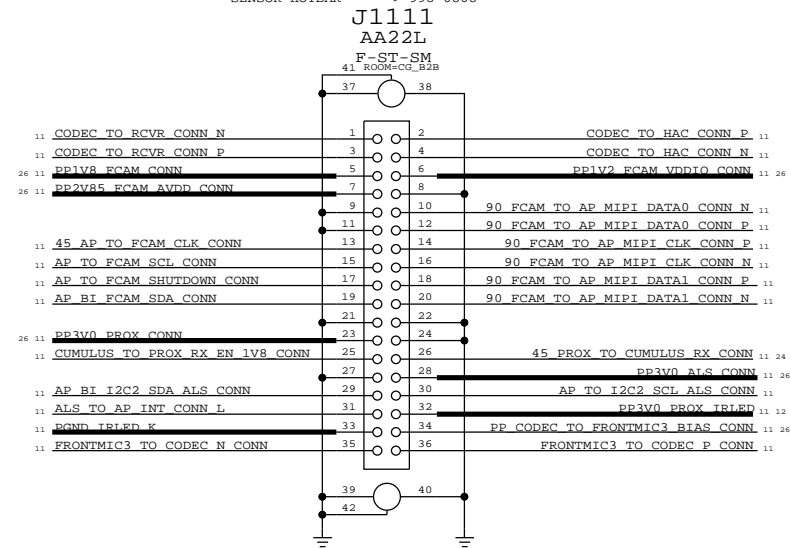
广西南宁功夫手机维修培训
 修一切苹果 招天下学生
 十年一线维修经验及教学经验
 让学员们快速学会维修技术及原理分析
 详情请加：
 QQ：343974077 翁老师电话：13737083768
 QQ：344106191 王老师电话：13737070888

SYNC MASTER=N61 MLB		SYNC DATE=08/26/2013	
AUDIO:L67 CODEC (2/2)			
Apple Inc.		DRAWING NUMBER	051-9903
		REVISION	7.0.0
NOTICE OF PROPRIETARY PROPERTY:		BRANCH	
THE INFORMATION CONTAINED HEREIN IS THE PROPRIETARY PROPERTY OF APPLE INC. THE POSSESSOR AGREES TO THE FOLLOWING:		PAGE	10 OF 55
I TO MAINTAIN THIS DOCUMENT IN CONFIDENCE		SHEET	10 OF 54
II NOT TO REPRODUCE OR COPY IT			
III NOT TO REVEAL OR PUBLISH IT IN WHOLE OR PART			
IV ALL RIGHTS RESERVED			

FRONT CAM FLEX B2B

(FCAM, PROX, ALS, RECEIVER, ANC ERROR MIC)

THIS ON ONE MLB ---> 516S1081 RECEPTACLE
SENSOR HOTBAR ---> 998-6868

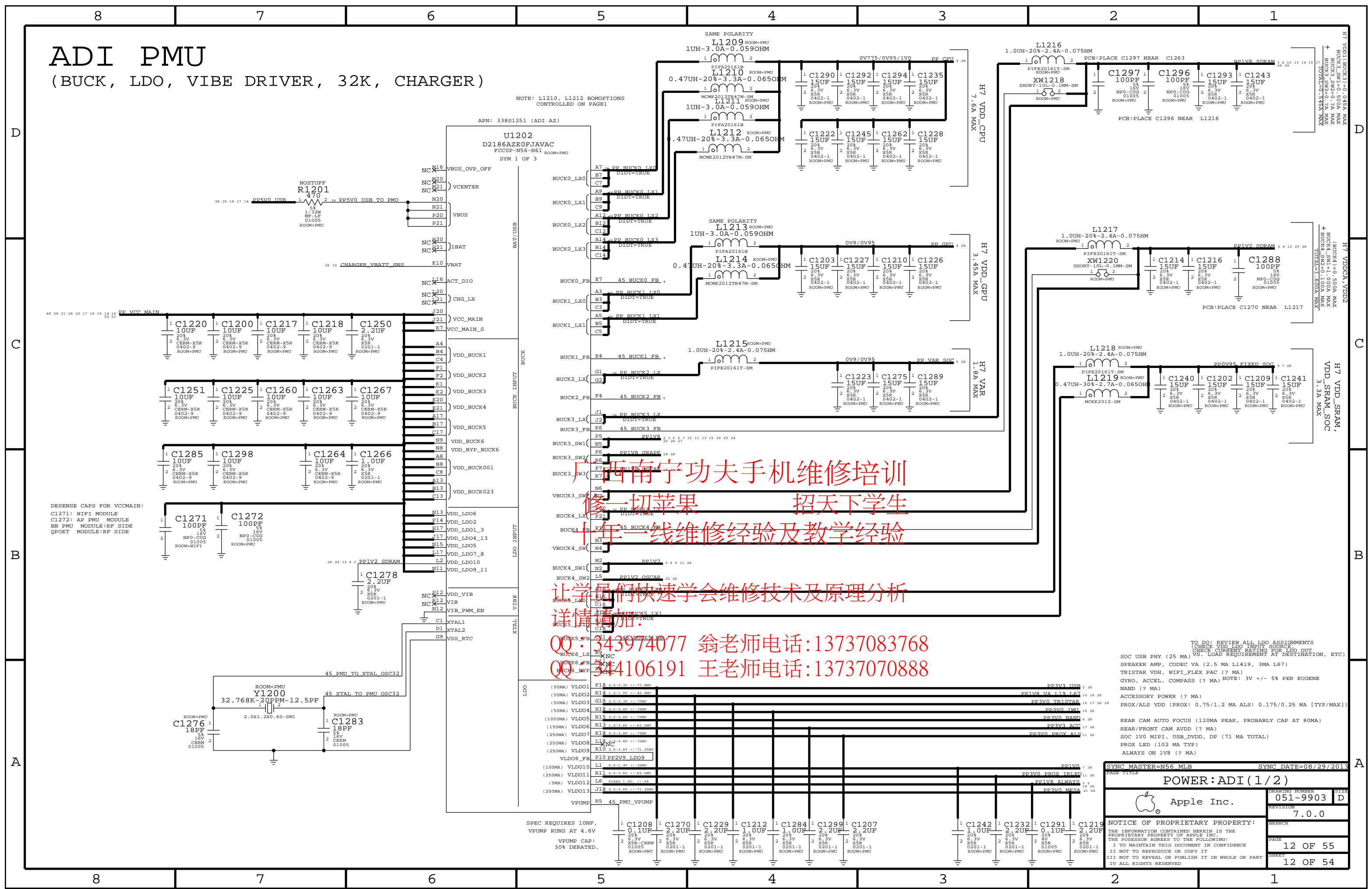


广西南宁功夫手机维修培训
修一切苹果 招天下学生
十年一线维修经验及教学经验

让学员们快速学会维修技术及原理分析
详情请加:
QQ: 343974077 翁老师电话: 13737083768
QQ: 344106191 王老师电话: 13737070888

SYNC MASTER=N61 MLB		SYNC DATE=08/26/2013	
CAMERA: FRONT FLEX CONN			
Apple Inc.		DRAWING NUMBER	051-9903
		REVISION	7.0.0
NOTICE OF PROPRIETARY PROPERTY:		BRANCH	
THE INFORMATION CONTAINED HEREIN IS THE PROPRIETARY PROPERTY OF APPLE INC. THE POSSESSOR AGREES TO THE FOLLOWING:		PAGE	11 OF 55
I TO MAINTAIN THIS DOCUMENT IN CONFIDENCE		SHEET	11 OF 54
II NOT TO REPRODUCE OR COPY IT			
III NOT TO REVEAL OR PUBLISH IT IN WHOLE OR PART			
IV ALL RIGHTS RESERVED			

ADI PMU (BUCK, LDO, VIBE DRIVER, 32K, CHARGER)



广西南宁功夫手机维修培训
 修一切苹果 招天下学生
 十年一线维修经验及教学经验
 让学员们快速学会维修技术及原理分析
 详情请加:

QQ: 343974077 翁老师电话: 13737083768
 QQ: 344106191 王老师电话: 13737070888

NAME	VALUE	ROOM	REF	VALUE	ROOM	REF
(50MA) VLD01	P18	ROOM=PMU	2.5-3.3V +/-71.580V	PP1V3 USB	ROOM=PMU	26
(50MA) VLD02	R14	ROOM=PMU	1.2-1.9V +/-42.580V	PP1V8 VA L19 L67	ROOM=PMU	10 14 26
(50MA) VLD03	G18	ROOM=PMU	2.5-3.3V +/-75.900V	PP3V0 TRISTAR	ROOM=PMU	15 17 26 29
(50MA) VLD04	H19	ROOM=PMU	2.5-3.6V +/-75.900V	PP3V0 PMU	ROOM=PMU	19 26
(1000MA) VLD05	R15	ROOM=PMU	2.5-3.6V +/-75.900V	PP3V0 NANI	ROOM=PMU	4 26
(150MA) VLD06	R12	ROOM=PMU	1.2-1.9V +/-82.580V	PP3V0 ACC	ROOM=PMU	17 26
(250MA) VLD07	K18	ROOM=PMU	2.5-3.6V +/-75.900V	PP3V0 PROX ALS	ROOM=PMU	11 26
(250MA) VLD08	L18	ROOM=PMU	2.5-3.6V +/-70.900V			
(250MA) VLD09	R10	ROOM=PMU	2.5-3.6V +/-71.250V			
VLD09_FB	P10	ROOM=PMU	PP2V9 LDO9			
(100MA) VLD010	L1	ROOM=PMU	0.6-1.4V +/-35.900V	PP1V0	ROOM=PMU	26
(250MA) VLD011	R11	ROOM=PMU	2.5-3.6V +/-82.580V	PP3V0 PROX TRLED	ROOM=PMU	11 26
(5MA) VLD012	L6	ROOM=PMU	FIXED 1.8V +/-53	PP1V8 ALWAYS	ROOM=PMU	14 26
(250MA) VLD013	J18	ROOM=PMU	2.5-3.6V +/-71.250V	PP3V0 MESS	ROOM=PMU	21 26
VPUMP	R5	ROOM=PMU	45 PMU_VPUMP			

TO DO: REVIEW ALL LDO ASSIGNMENTS
 (CHECK VDD LDO INPUT SOURCE)
 CHECK CURRENT RATING FOR LDO OUT
 VS. LOAD REQUIREMENT AT DESTINATION, ETC)

SOC USB PHY (25 MA)
 SPEAKER AMP, CODEC VA (2.5 MA L1419, 3MA L67)
 TRISTAR VDH, WIFI_FLEX PAC (? MA)
 GYRO, ACCEL, COMPASS (? MA) NOTE: 3V +/- 5% PER EUGENE
 NAND (? MA)
 ACCESSORY POWER (? MA)
 PROX/ALS VDD (PROX: 0.75/1.2 MA ALS: 0.175/0.25 MA [TYP/MAX])

REAR CAM AUTO FOCUS (120MA PEAK, PROBABLY CAP AT 80MA)
 REAR/FRONT CAM AVDD (? MA)
 SOC IVO MIPI, USB_DVDD, DP (71 MA TOTAL)
 PROX LED (102 MA TYP)
 ALWAYS ON IVB (? MA)

SYNC MASTER=N56 MLB SYNC DATE=08/29/2013

PAGE TITLE: POWER:ADI (1 / 2)

Apple Inc.

DRAWING NUMBER: 051-9903 SIZE: D

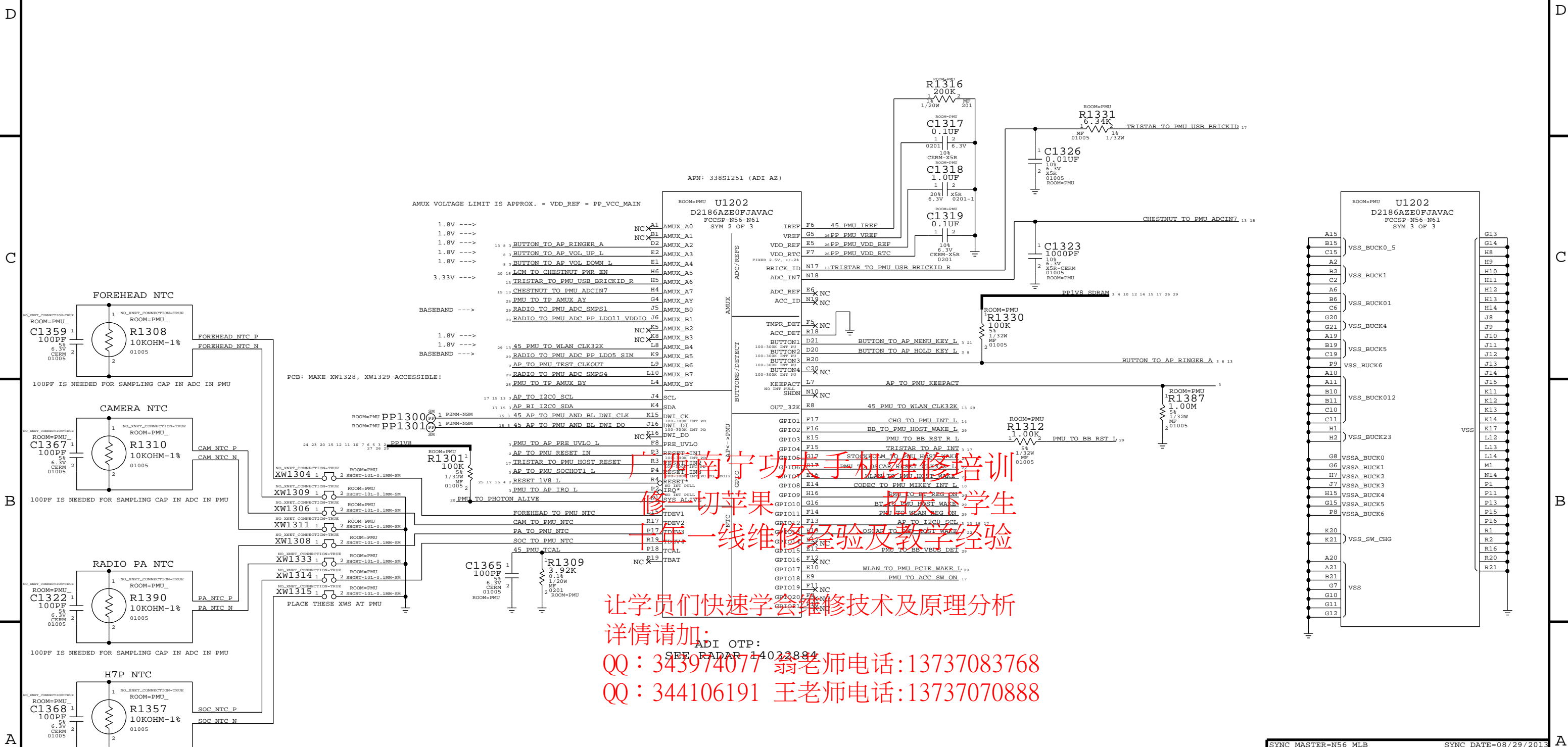
REVISION: 7.0.0

NOTICE OF PROPRIETARY PROPERTY:
 THE INFORMATION CONTAINED HEREIN IS THE PROPRIETARY PROPERTY OF APPLE INC. THE POSSESSOR AGREES TO THE FOLLOWING:
 I TO MAINTAIN THIS DOCUMENT IN CONFIDENCE
 II NOT TO REPRODUCE OR COPY IT
 III NOT TO REVEAL OR PUBLISH IT IN WHOLE OR PART
 IV ALL RIGHTS RESERVED

PAGE: 12 OF 55
 SHEET: 12 OF 54

ADI PMU

(AMUX, GPIO, BUTTONS, ADC, THERMISTORS, SYSTEM I/F, GND)

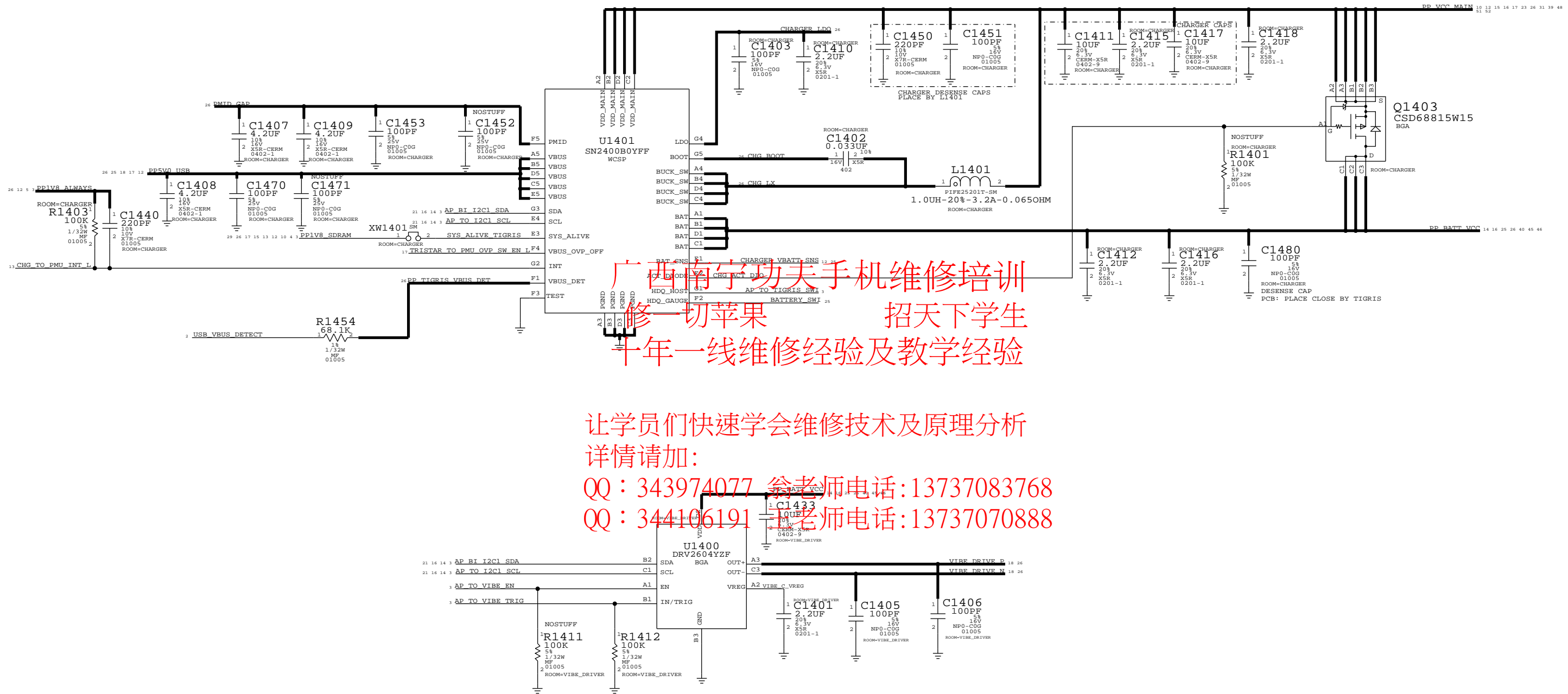


南宁功层手机维修培训
一切苹果
十年一线维修经验及教学经验

让学员们快速学会维修技术及原理分析
详情请加:
QQ: 343974077 翁老师电话: 13737083768
QQ: 344106191 王老师电话: 13737070888

SYNC MASTER=N56 MLB		SYNC DATE=08/29/2013	
POWER:ADI (2/2)			
Apple Inc.		DRAWING NUMBER	051-9903
		REVISION	7.0.0
NOTICE OF PROPRIETARY PROPERTY:		BRANCH	
THE INFORMATION CONTAINED HEREIN IS THE PROPRIETARY PROPERTY OF APPLE INC. THE POSSESSOR AGREES TO THE FOLLOWING:		PAGE	13 OF 55
I TO MAINTAIN THIS DOCUMENT IN CONFIDENCE		SHEET	13 OF 54
II NOT TO REPRODUCE OR COPY IT			
III NOT TO REVEAL OR PUBLISH IT IN WHOLE OR PART			
IV ALL RIGHTS RESERVED			

TIGRIS CHARGER & VIBE DRIVER



广西南宁宁功夫手机维修培训
 修一切苹果 招天下学生
 十年一线维修经验及教学经验

让学员们快速学会维修技术及原理分析
 详情请加：

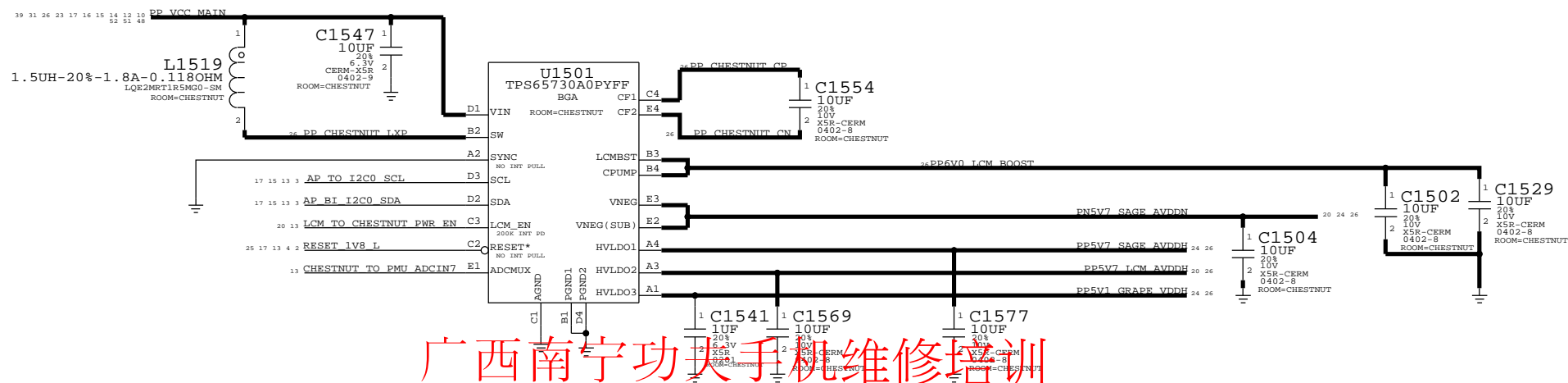
QQ：343974077 谷老师电话：13737083768

QQ：344106191 吕老师电话：13737070888

POWER:TIGRISR,VIBE DRIVER		
Apple Inc.	DRAWING NUMBER 051-9903	SIZE D
REVISION 7.0.0		BRANCH
NOTICE OF PROPRIETARY PROPERTY: THE INFORMATION CONTAINED HEREIN IS THE PROPRIETARY PROPERTY OF APPLE, INC. THE POSSESSOR AGREES TO THE FOLLOWING: I TO MAINTAIN THIS DOCUMENT IN CONFIDENCE II NOT TO REPRODUCE OR COPY IT III NOT TO REVEAL OR PUBLISH IT IN WHOLE OR PART IV ALL RIGHTS RESERVED		
PAGE 14 OF 55	SHEET 14 OF 54	

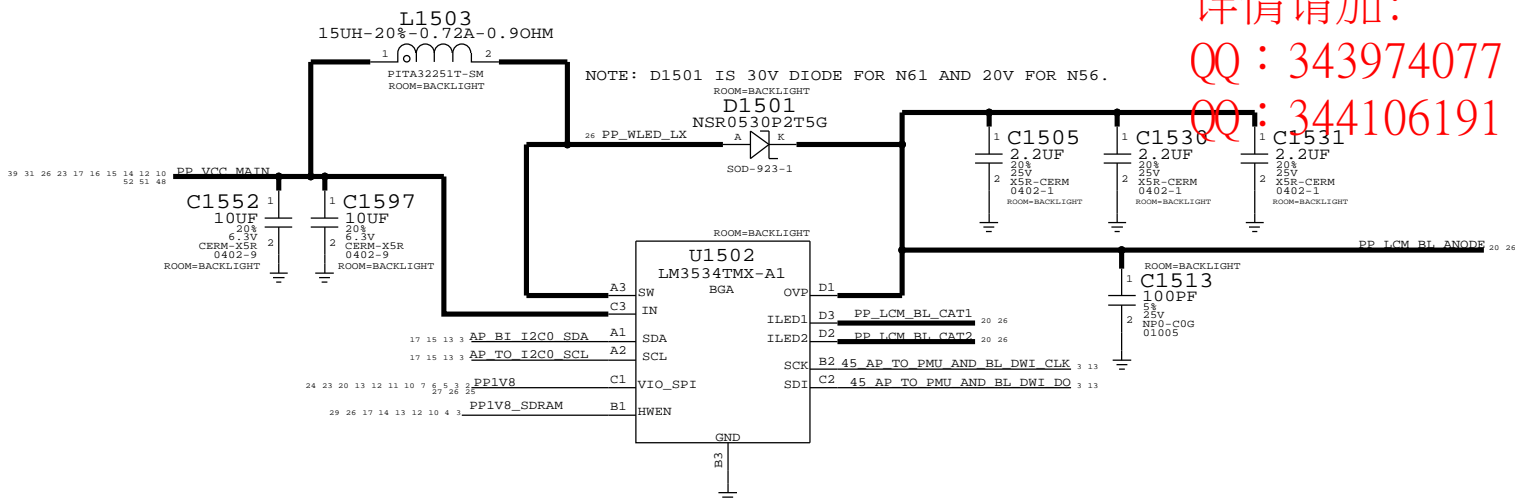
CHESTNUT, BACKLIGHT DRIVER, MESA BOOST

D500 DISPLAY PMU (TI CHESTNUT, 338S1149)



广西南宁功夫手机维修培训
修一切苹果 招天下学生
十年一线维修经验及教学经验

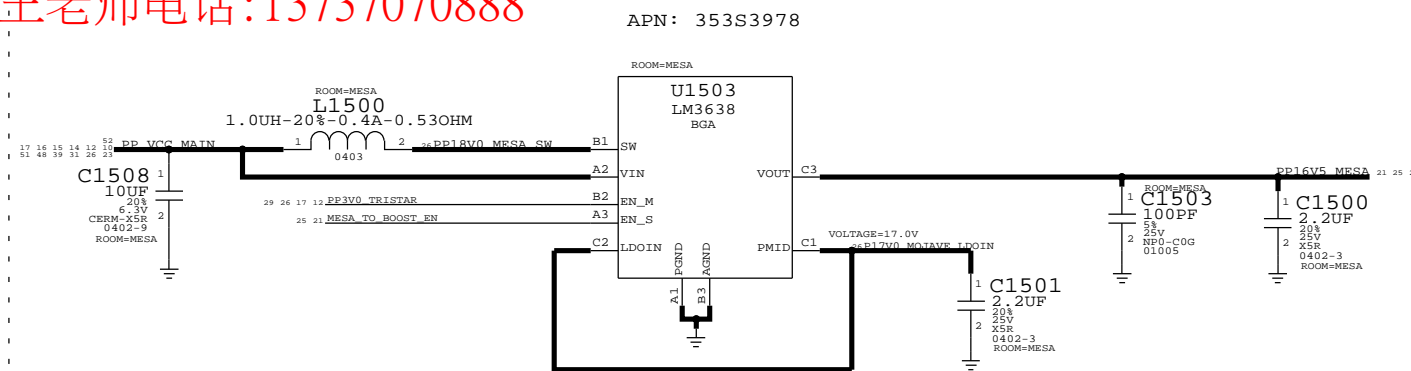
D500 BACKLIGHT DRIVER



让学员们快速学会维修技术及原理分析
详情请加:

QQ: 343974077 翁老师电话: 13737083768
QQ: 344106191 王老师电话: 13737070888

MESA BOOST A0

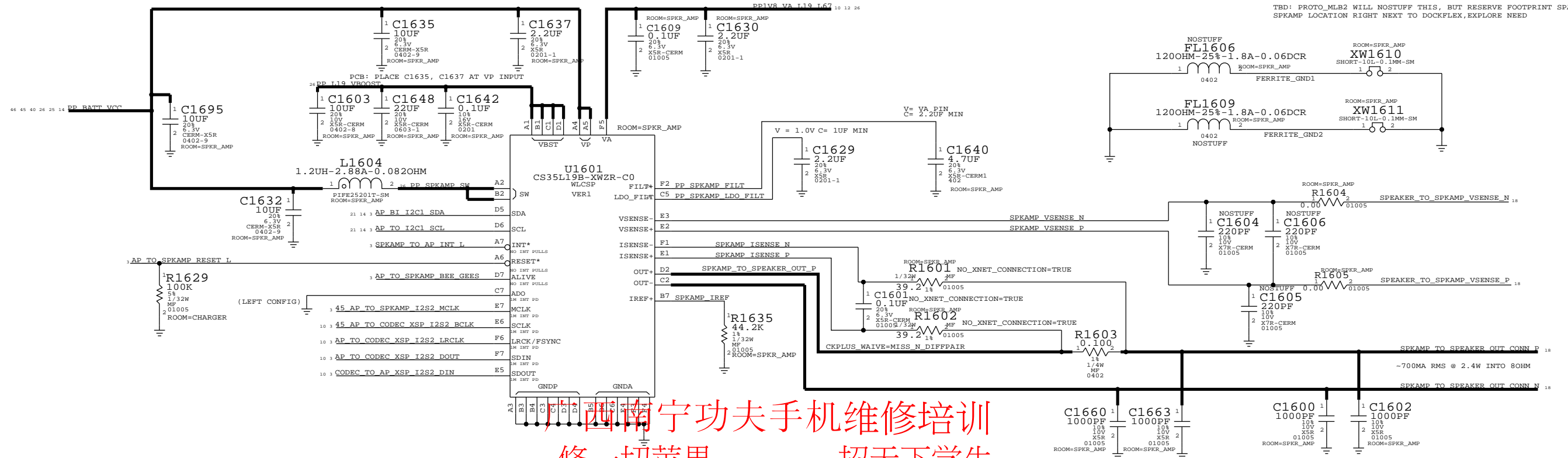


SYNC MASTER=N61 MLB		SYNC DATE=08/26/2013	
PAGE TITLE DISPLAY: CHESTNUT, BACKLIGHT DRIVER			
DRAWING NUMBER 051-9903		SIZE D	
REVISION 7.0.0		BRANCH	
NOTICE OF PROPRIETARY PROPERTY: THE INFORMATION CONTAINED HEREIN IS THE PROPRIETARY PROPERTY OF APPLE INC. THE POSSESSOR AGREES TO THE FOLLOWING: I I TO MAINTAIN THIS DOCUMENT IN CONFIDENCE II NOT TO REPRODUCE OR COPY IT III NOT TO REVEAL OR PUBLISH IT IN WHOLE OR PART IV ALL RIGHTS RESERVED			
PAGE 15 OF 55		SHEET 15 OF 54	

SPEAKER AMP, LED DRIVER

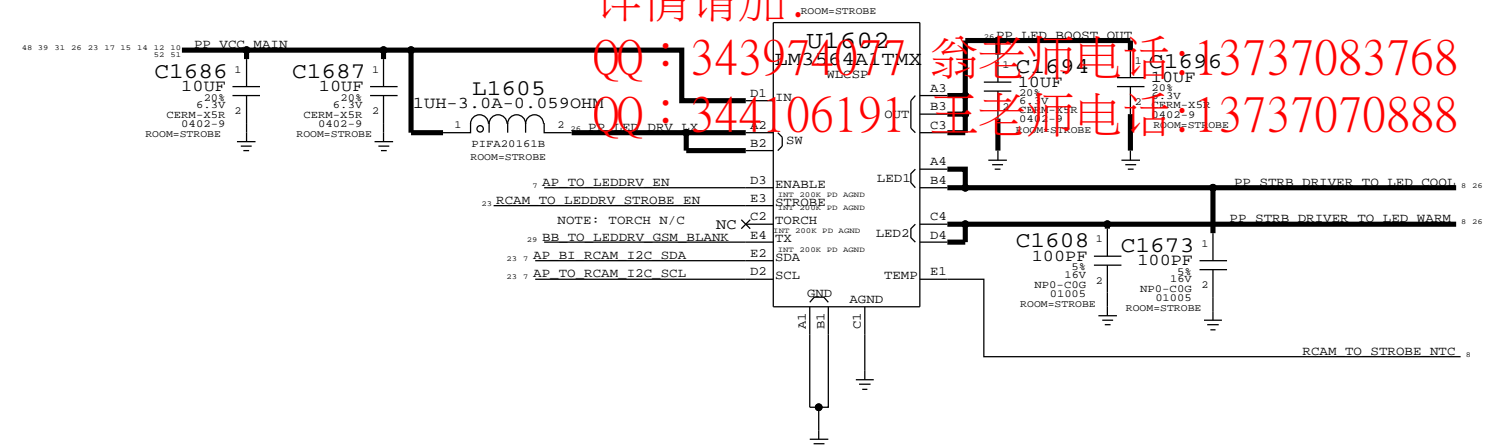
SPEAKER AMP

I2C ADDRESS: 1000000X



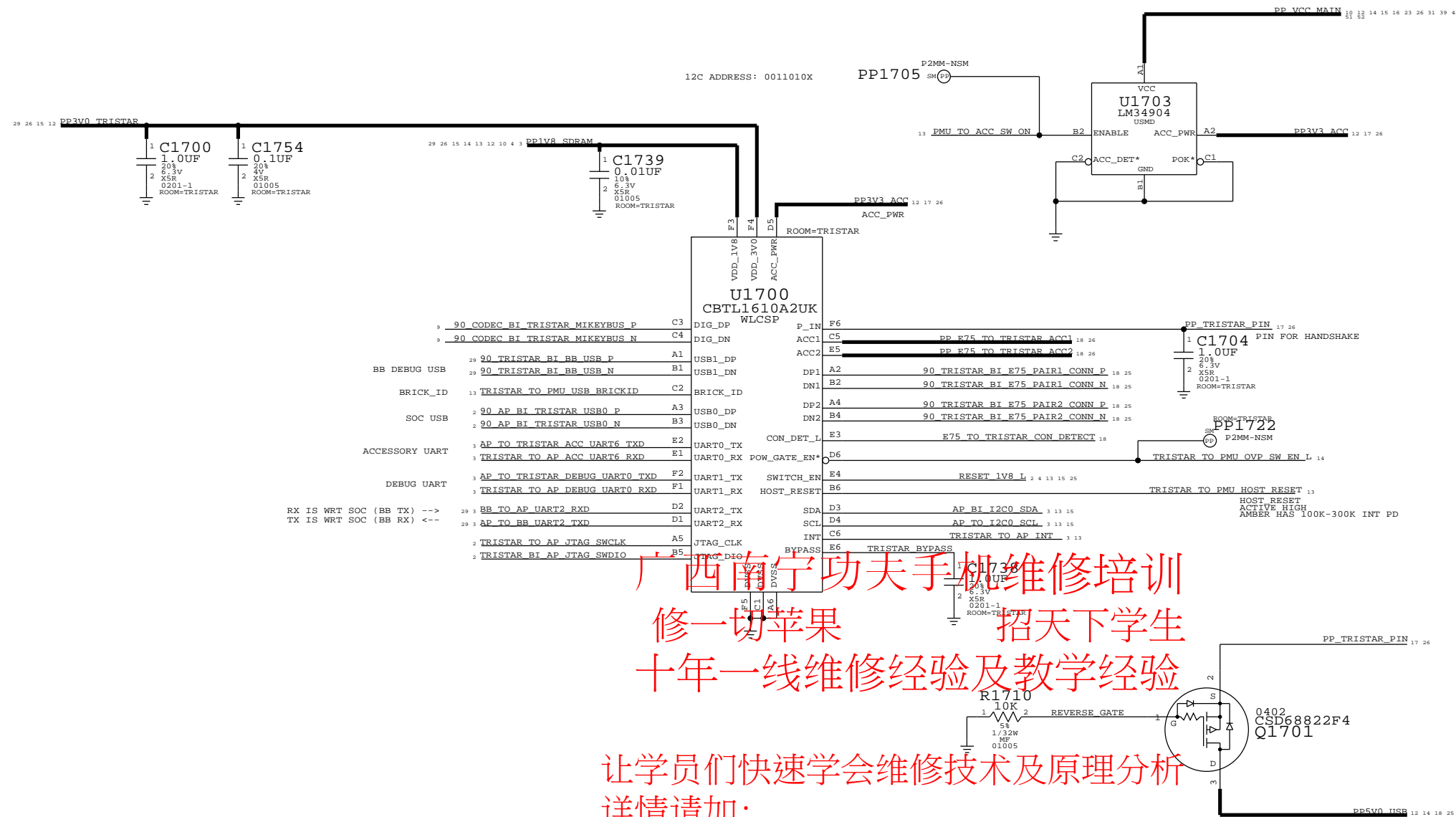
广西南宁功夫手机维修培训
 修一切苹果 招天下学生
 十年一线维修经验及教学经验
 STROBE DRIVER

让学员们快速学会维修技术及原理分析
 详情请加:
 QQ: 343974077 翁老师电话: 13737083768
 QQ: 344106191 王老师电话: 13737070888



SYNC MASTER=N61_MLB		SYNC DATE=08/26/2013	
PAGE TITLE			
AUDIO: SPKR AMP, STROBE			
Apple Inc.		DRAWING NUMBER	051-9903
		REVISION	7.0.0
NOTICE OF PROPRIETARY PROPERTY:		BRANCH	
THE INFORMATION CONTAINED HEREIN IS THE PROPRIETARY PROPERTY OF APPLE INC. THE POSSESSOR AGREES TO THE FOLLOWING:		PAGE	16 OF 55
I TO MAINTAIN THIS DOCUMENT IN CONFIDENCE		SHEET	16 OF 54
II NOT TO REPRODUCE OR COPY IT			
III NOT TO REVEAL OR PUBLISH IT IN WHOLE OR PART			
IV ALL RIGHTS RESERVED			

TRISTAR2



广西南宁功夫手机维修培训
修一切苹果 招天下学生
十年一线维修经验及教学经验

让学员们快速学会维修技术及原理分析
 详情请加：
 QQ：343974077 翁老师电话：13737083768
 QQ：344106191 王老师电话：13737070888

SYNC MASTER=N61 MLB		SYNC DATE=08/26/2013	
IO:TRISTAR2			
Apple Inc.	DRAWING NUMBER	051-9903	SIZE
		REVISION	7.0.0
NOTICE OF PROPRIETARY PROPERTY: THE INFORMATION CONTAINED HEREIN IS THE PROPRIETARY PROPERTY OF APPLE INC. THE POSSESSOR AGREES TO THE FOLLOWING: I TO MAINTAIN THIS DOCUMENT IN CONFIDENCE II NOT TO REPRODUCE OR COPY IT III NOT TO REVEAL OR PUBLISH IT IN WHOLE OR PART IV ALL RIGHTS RESERVED		BRANCH	
		PAGE	17 OF 55
		SHEET	17 OF 54

DOCKFLEX B2B (USB VBUS, SPEAKER, ANTENNA LAT SW CTRL, MIC1 (PRIMARY MIC), ACC DET/ID/PWR, E75 DIFFPAIRS)

MLB: 516S1281 (RCPT)
ROOM=DOCK_B2B J1817
24-5859-036-201-829
F-ST-SM

D
LOWER MIC1
(PRIMARY
VOICE MIC)

C
HEADPHONE

B

A
CODEC TO
HEADPHONE

ACCESSORY:
VIBE
DRIVE

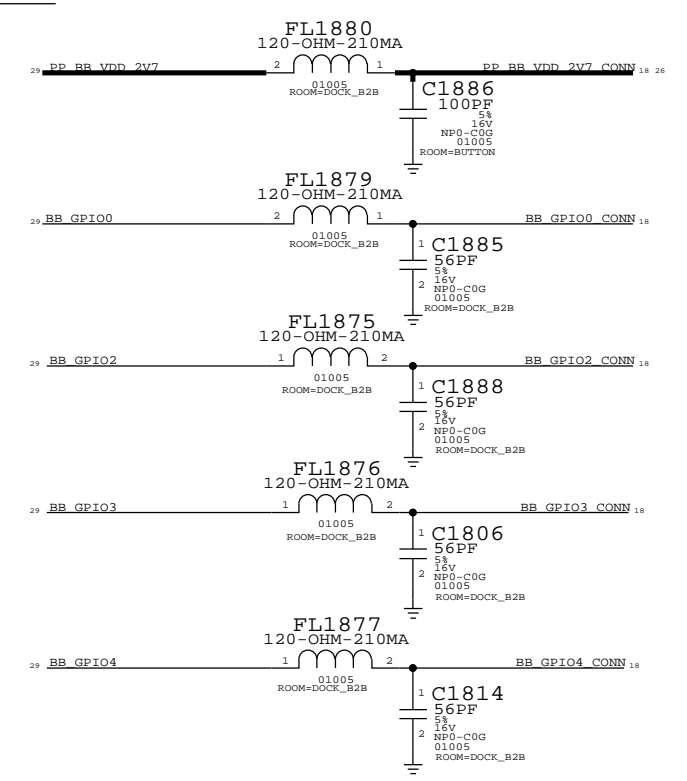
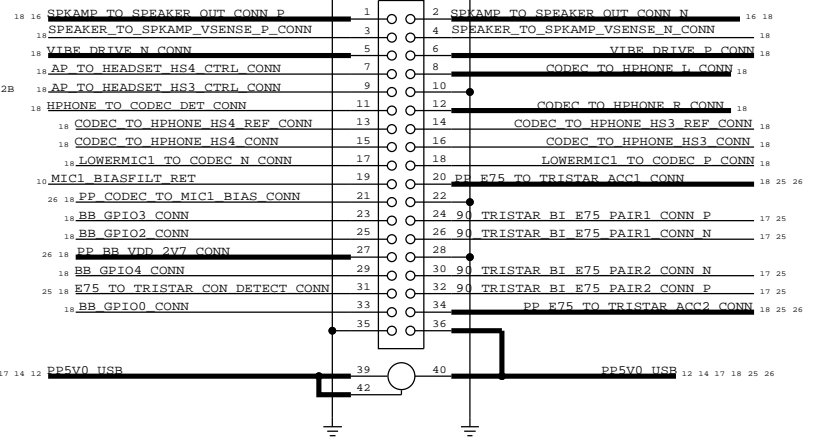
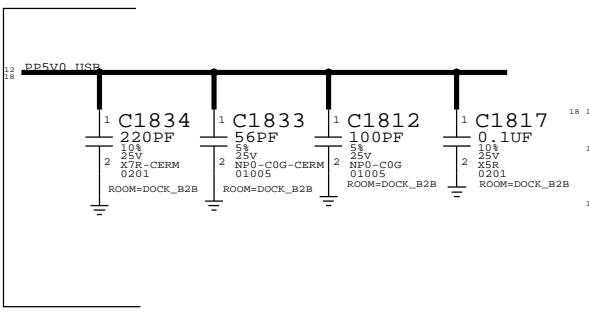
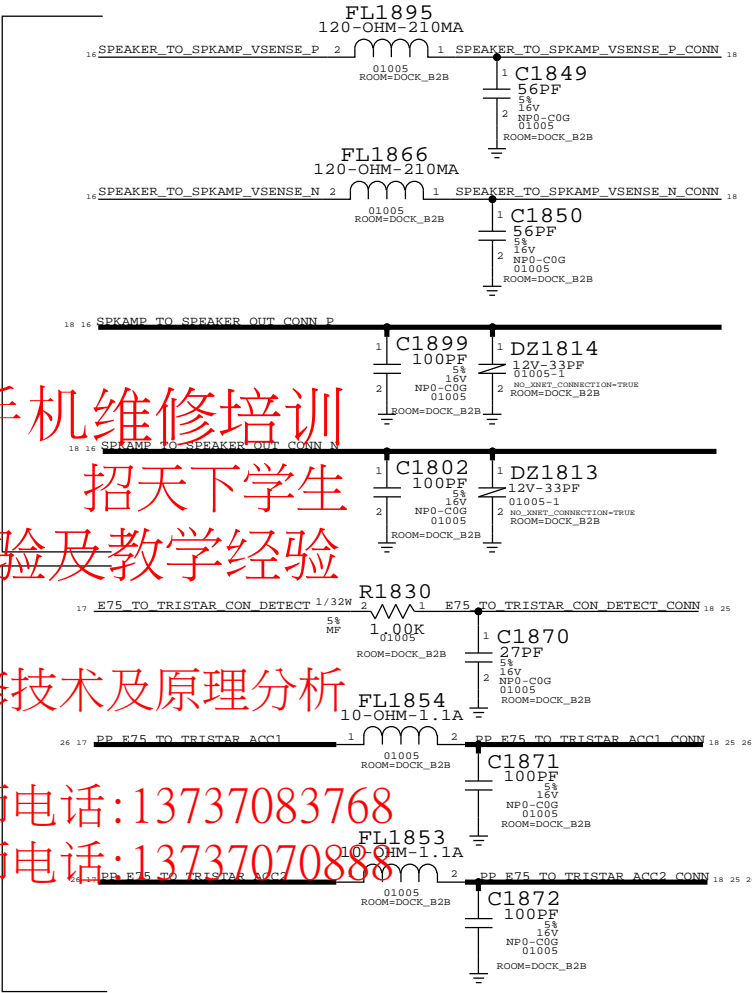
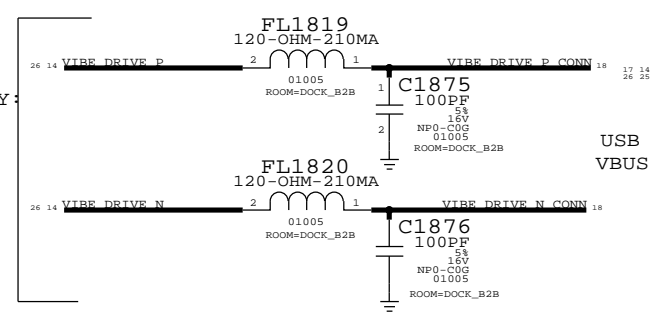
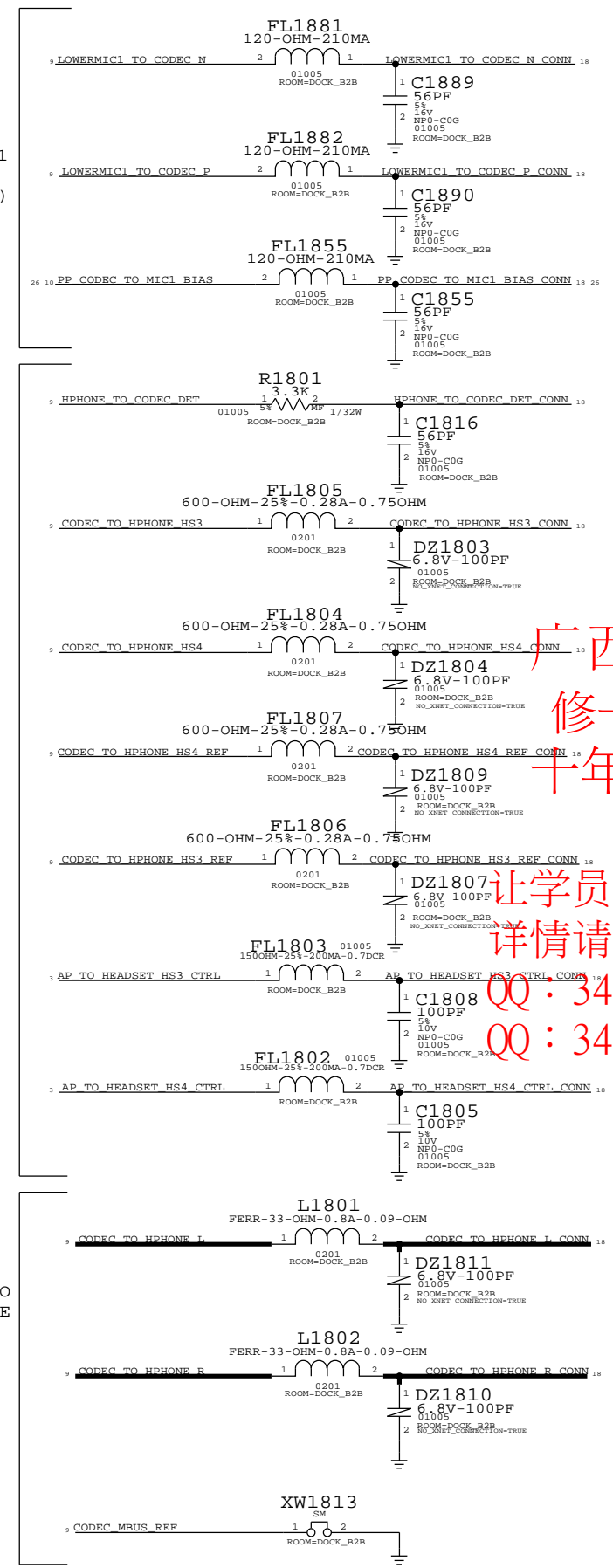
USB
VBUS

SPEAKER:
LEADS,
VSENSE

ANTENNA

广西南宁功夫手机维修培训
修一切苹果 招天下学生
十年一线维修经验及教学经验

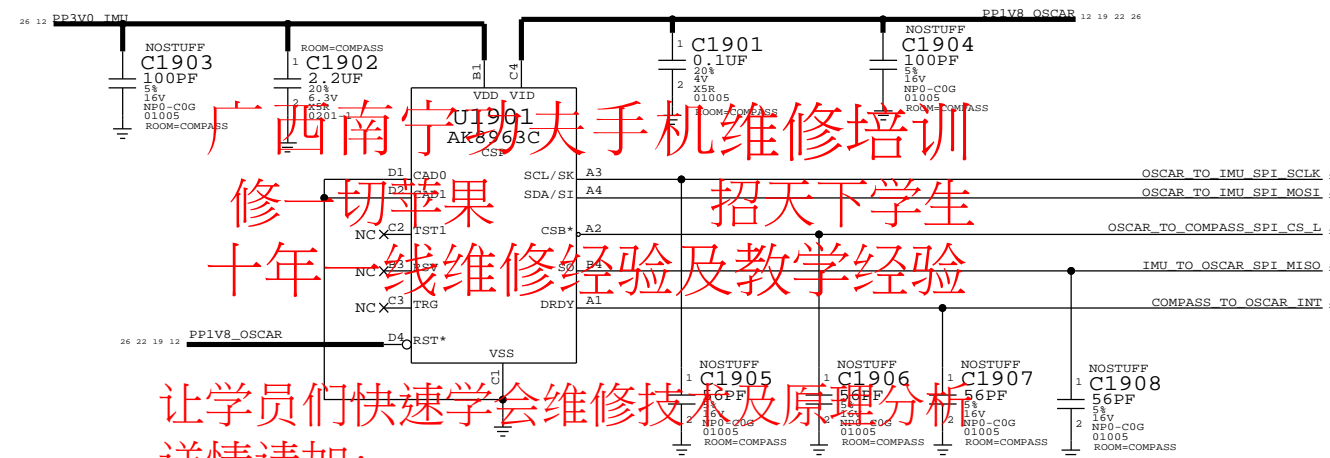
让学员们快速学会维修技术及原理分析
详情请加:
QQ: 343974077 翁老师电话: 13737083768
QQ: 344106191 王老师电话: 13737070888



SYNC MASTER=N61 MLB		SYNC DATE=08/26/2013	
PAGE TITLE IO:DOCK FLEX CONN			
Apple Inc.	DRAWING NUMBER	051-9903	SIZE D
	REVISION	7.0.0	
NOTICE OF PROPRIETARY PROPERTY:		BRANCH	
THE INFORMATION CONTAINED HEREIN IS THE PROPRIETARY PROPERTY OF APPLE INC. THE POSSESSOR AGREES TO THE FOLLOWING:		PAGE	
I TO MAINTAIN THIS DOCUMENT IN CONFIDENCE		18 OF 55	
II NOT TO REPRODUCE OR COPY IT		SHEET	
III NOT TO REVEAL OR PUBLISH IT IN WHOLE OR PART		18 OF 54	
IV ALL RIGHTS RESERVED			

COMPASS - AKM COMPASS IN POR LOCATION

COMPASS CSP: 338S1014



广西南宁苹果手机维修培训
 修一切苹果 招天下学生
 十年一线维修经验及教学经验

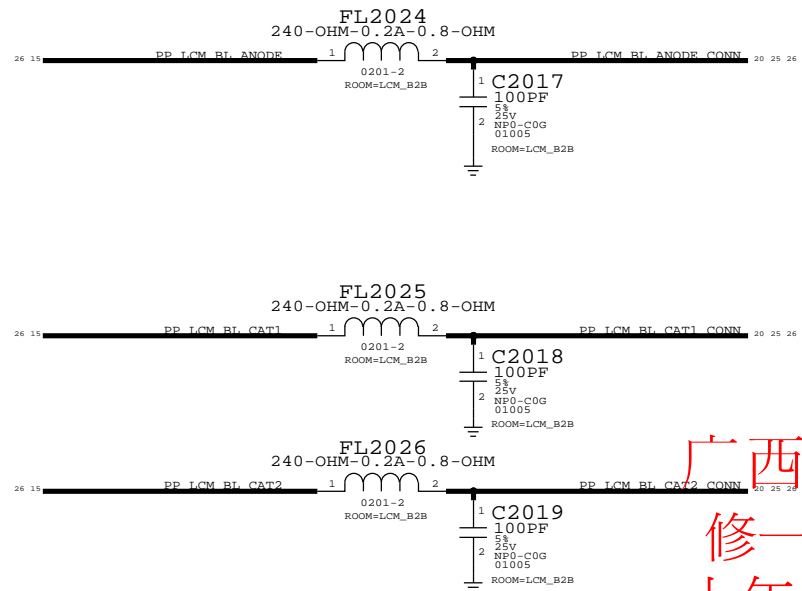
让学员们快速学会维修技术及原理分析
 详情请加：
 QQ：343974077 翁老师电话：13737083768
 QQ：344106191 王老师电话：13737070888

SYNC MASTER=N61 MLB		SYNC DATE=08/26/2013	
SENSORS: COMPASS			
Apple Inc.		DRAWING NUMBER	SIZE
		051-9903	D
		REVISION	
		7.0.0	
NOTICE OF PROPRIETARY PROPERTY:		BRANCH	
THE INFORMATION CONTAINED HEREIN IS THE PROPRIETARY PROPERTY OF APPLE INC. THE POSSESSOR AGREES TO THE FOLLOWING:		PAGE	
I TO MAINTAIN THIS DOCUMENT IN CONFIDENCE		19 OF 55	
II NOT TO REPRODUCE OR COPY IT		SHEET	
III NOT TO REVEAL OR PUBLISH IT IN WHOLE OR PART		19 OF 54	
IV ALL RIGHTS RESERVED			

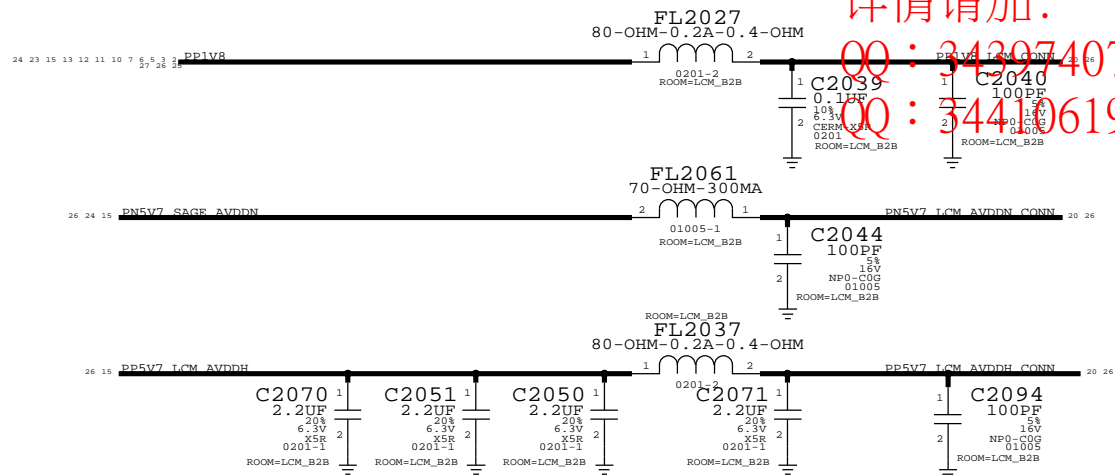
LCD B2B

Backlight

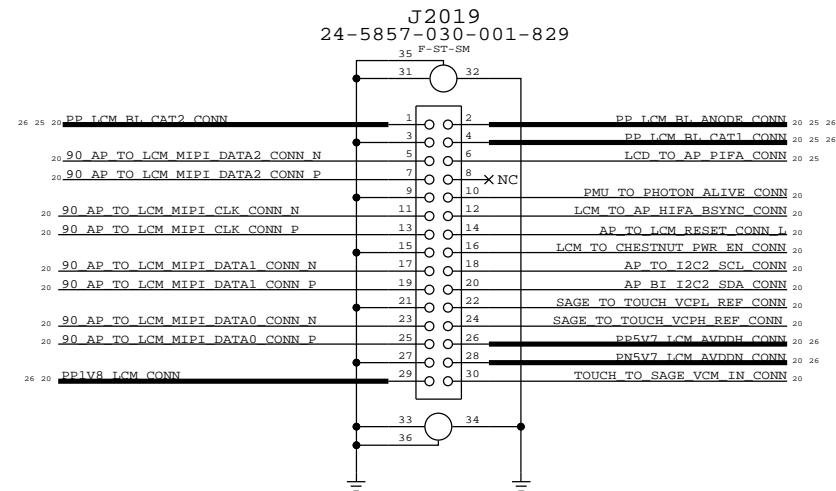
(N56 HAS A 2ND SET OF BL SIGNALS ON P. 19).



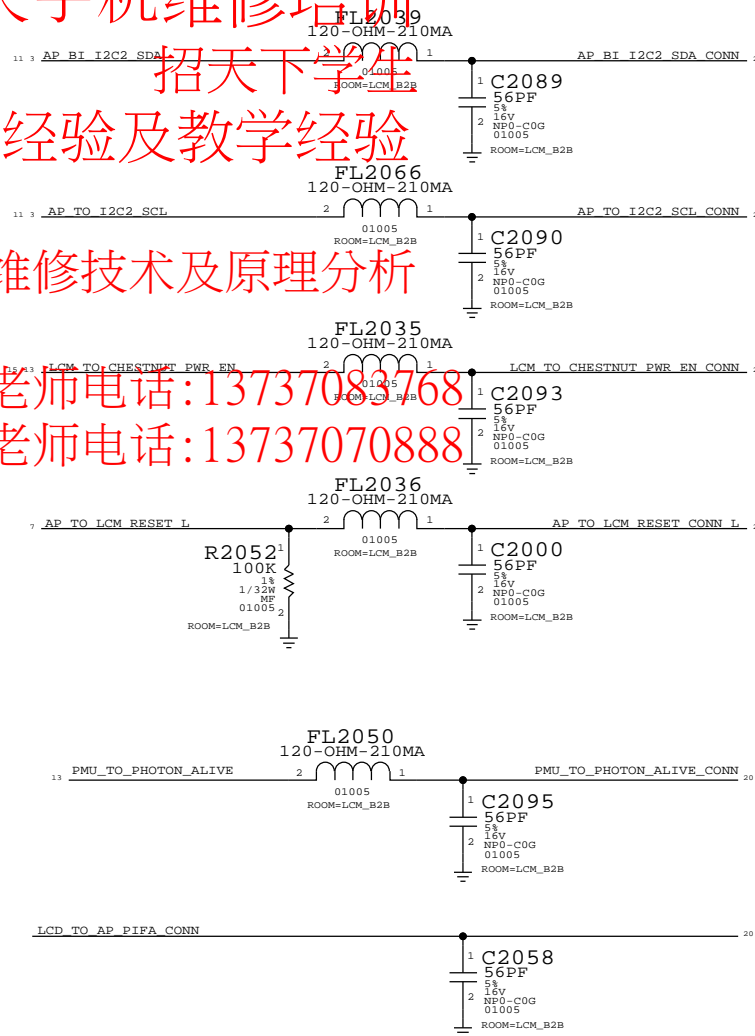
LCM Supplies



THIS ONE ON MLB ---> 516S1164

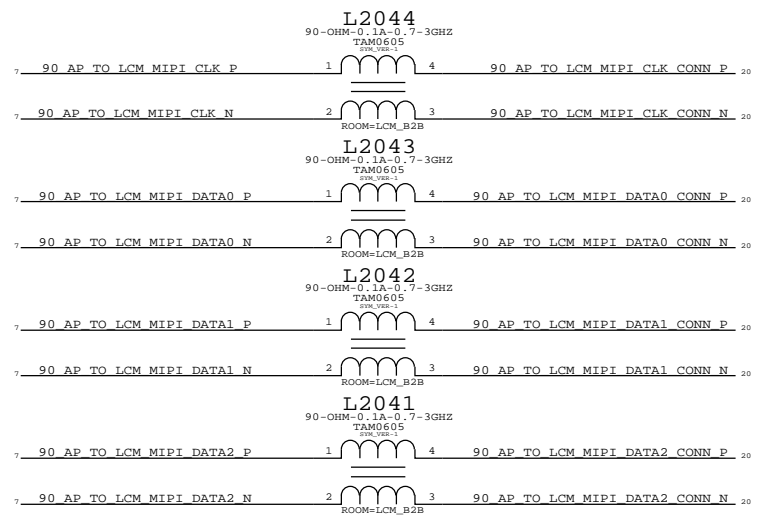


Digital Interfaces

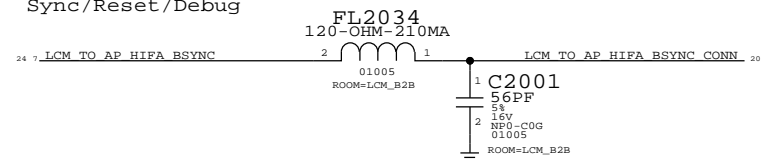


MIPI Common Mode Chokes

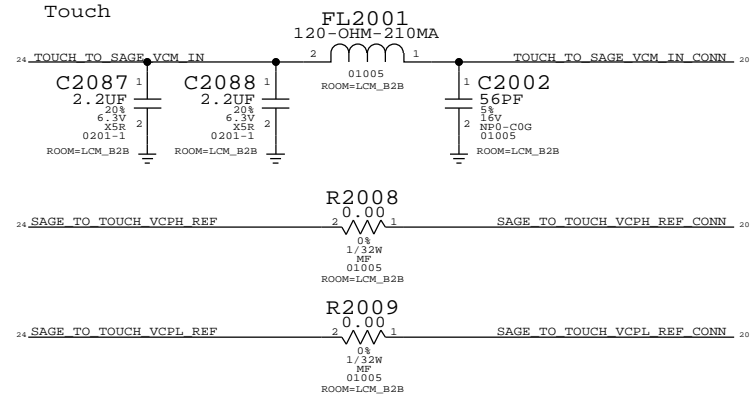
(N56 HAS A 4TH MIPI LANE ON P. 19).



Sync/Reset/Debug



Touch



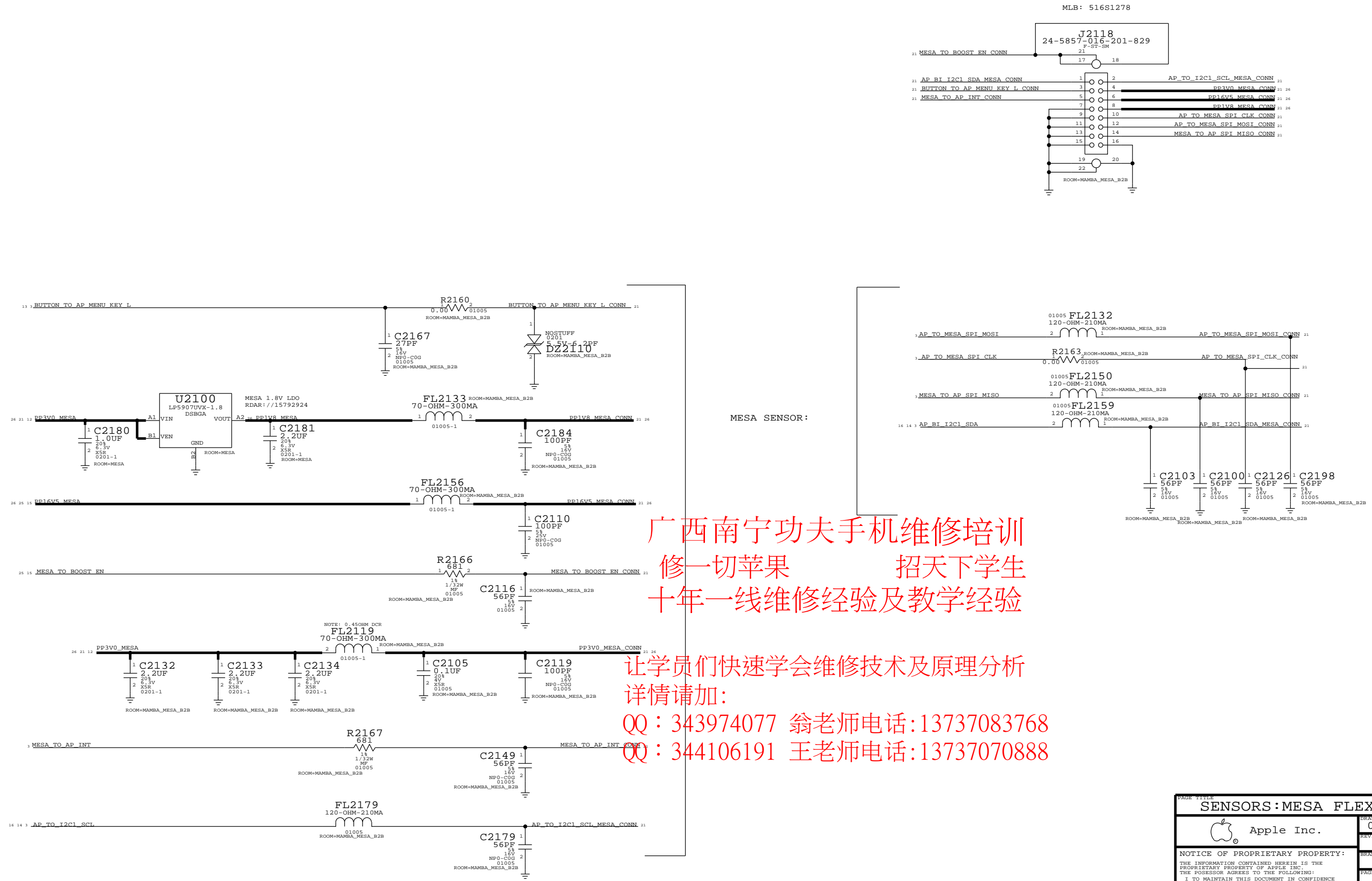
广西南宁功夫手机维修培训
 修一切苹果
 十年一线维修经验及教学经验

让学员们快速学会维修技术及原理分析
 详情请加:

QQ: 343974077 翁老师电话: 13737083768
 QQ: 344106191 王老师电话: 13737070888

SYNC MASTER=N61 MLB		SYNC DATE=08/26/2013	
PAGE TITLE			
DISPLAY: FLEX CONN			
Apple Inc.		DRAWING NUMBER	051-9903
		REVISION	7.0.0
NOTICE OF PROPRIETARY PROPERTY:		BRANCH	
THE INFORMATION CONTAINED HEREIN IS THE PROPRIETARY PROPERTY OF APPLE INC. THE POSSESSOR AGREES TO THE FOLLOWING:		PAGE	20 OF 55
I TO MAINTAIN THIS DOCUMENT IN CONFIDENCE		SHEET	20 OF 54
II NOT TO REPRODUCE OR COPY IT			
III NOT TO REVEAL OR PUBLISH IT IN WHOLE OR PART			
IV ALL RIGHTS RESERVED			

MESA CONNECTOR



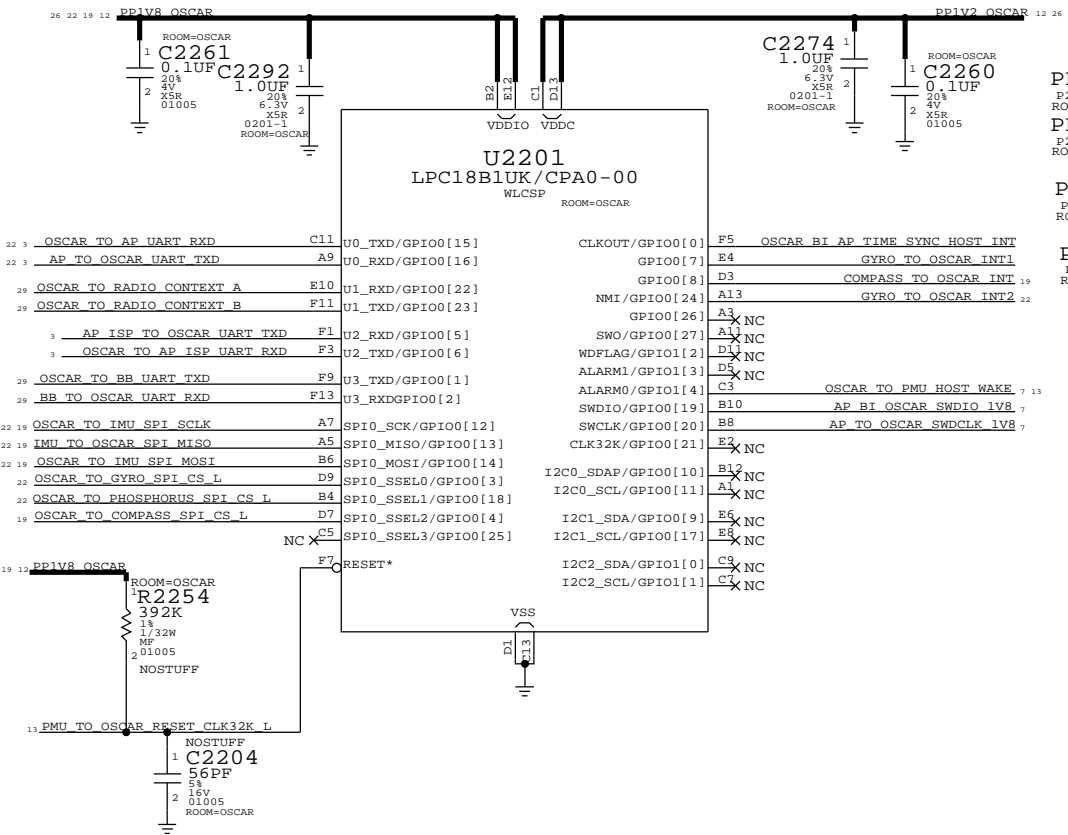
广西南宁功夫手机维修培训
修一切苹果 招天下学生
十年一线维修经验及教学经验

让学员们快速学会维修技术及原理分析
详情请加:
QQ: 343974077 翁老师电话: 13737083768
QQ: 344106191 王老师电话: 13737070888

PAGE TITLE		
SENSORS: MESA FLEX CONN		
Apple Inc.	DRAWING NUMBER	051-9903
	REVISION	7.0.0
NOTICE OF PROPRIETARY PROPERTY:		
THE INFORMATION CONTAINED HEREIN IS THE PROPRIETARY PROPERTY OF APPLE INC. THE POSSESSOR AGREES TO THE FOLLOWING:		
I TO MAINTAIN THIS DOCUMENT IN CONFIDENCE	BRANCH	
II NOT TO REPRODUCE OR COPY IT	PAGE	21 OF 55
III NOT TO REVEAL OR PUBLISH IT IN WHOLE OR PART	SHEET	21 OF 54
IV ALL RIGHTS RESERVED		

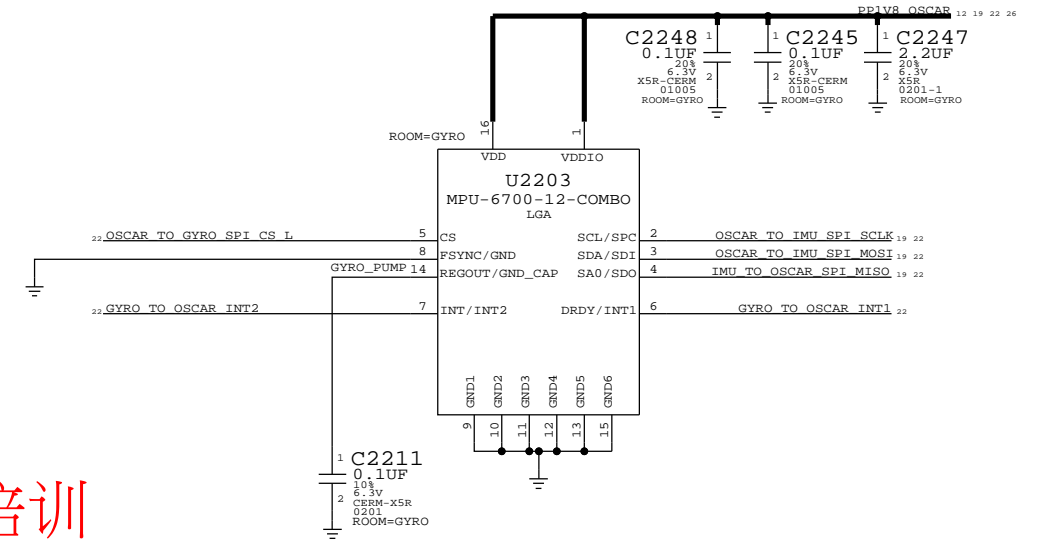
OSCAR + SENSORS

OSCAR VDDIO = 1.8V ALWAYS ON (NEED TO MAKE HOST & RUN PLL)
OSCAR CORE = 1.2V ALWAYS ON (NEED TO RUN IN SDRAM)



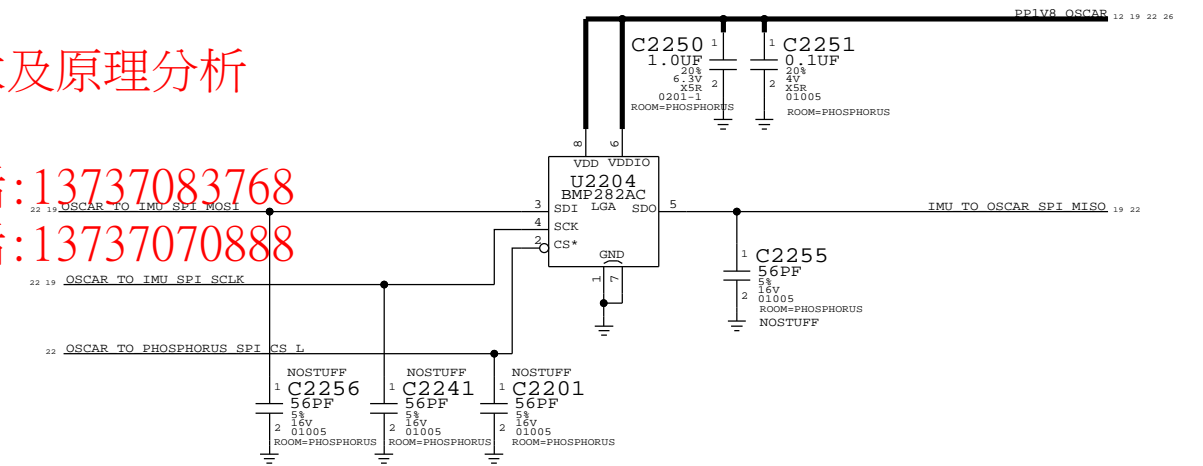
CARBON (ACCEL GYRO COMBO)

INVENSENSE, APN 338S00017, C2211=0.1UF
BOSCH, APN 338S00028, C2211=0.1UF
ST, APN 338S00029, C2211=0.01UF,25V



THIS IS OUTSIDE OF SHIELD IN TO THE RIGHT OF THE NAND

PHOSPHORUS



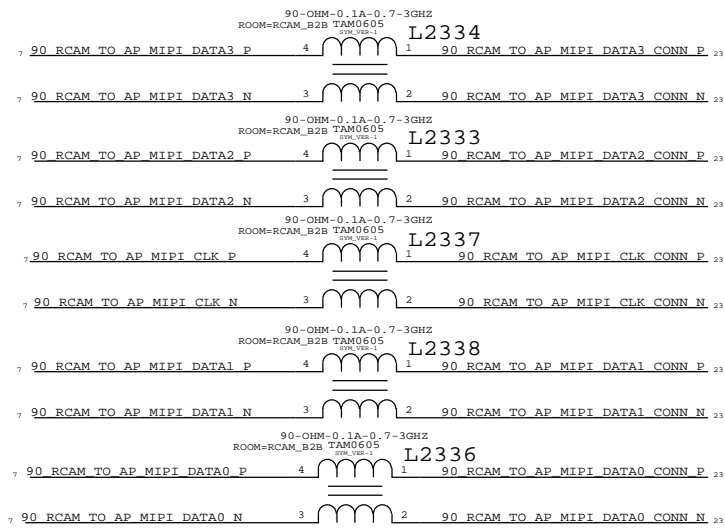
广西南宁功夫手机维修培训
修一切苹果 招天下学生
十年一线维修经验及教学经验

让学员们快速学会维修技术及原理分析
详情请加：
QQ：343974077 翁老师电话：13737083768
QQ：344106191 王老师电话：13737070888

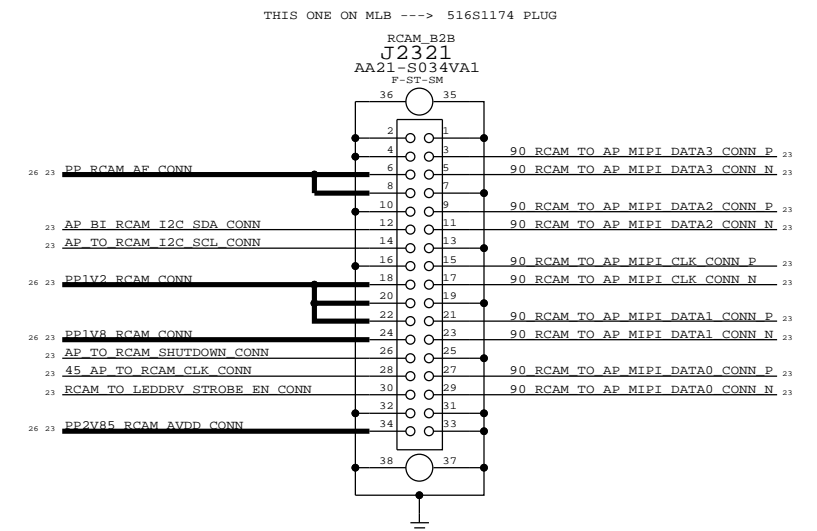
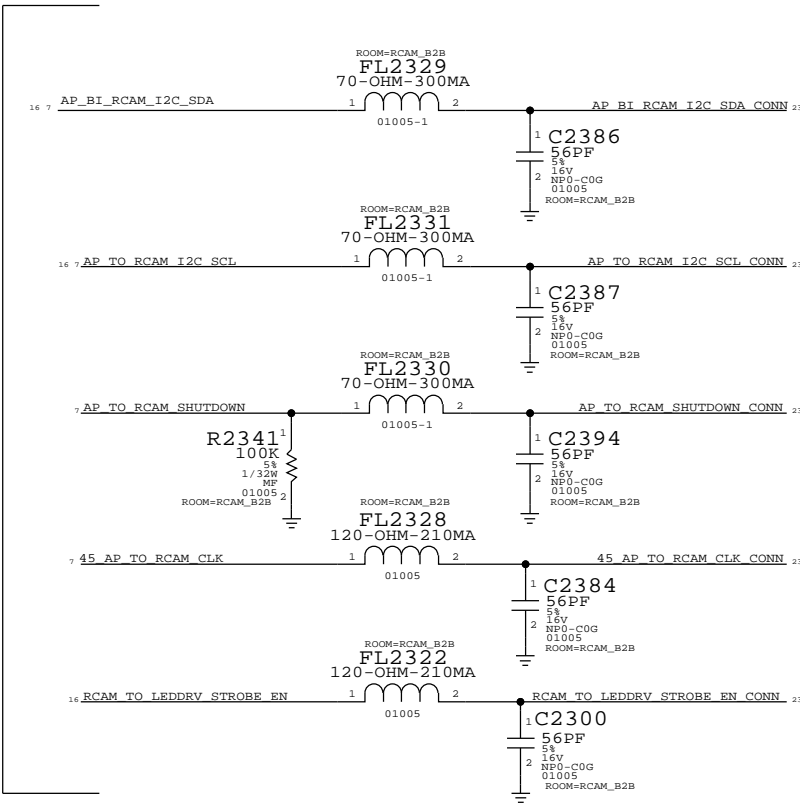
SYNC MASTER=N61 MLB		SYNC DATE=08/26/2013	
PAGE TITLE SENSORS: OSCAR, CARBON, PHOS, MAGNESIUM			
DRAWING NUMBER 051-9903		SIZE D	
REVISION 7.0.0		BRANCH	
NOTICE OF PROPRIETARY PROPERTY: THE INFORMATION CONTAINED HEREIN IS THE PROPRIETARY PROPERTY OF APPLE INC. THE POSSESSOR AGREES TO THE FOLLOWING: I TO MAINTAIN THIS DOCUMENT IN CONFIDENCE II NOT TO REPRODUCE OR COPY IT III NOT TO REVEAL OR PUBLISH IT IN WHOLE OR PART IV ALL RIGHTS RESERVED			
PAGE 22 OF 55		SHEET 22 OF 54	

RCAM B2B (REAR CAMERA CONNECTOR)

RCAM:
4-LANE MIPI

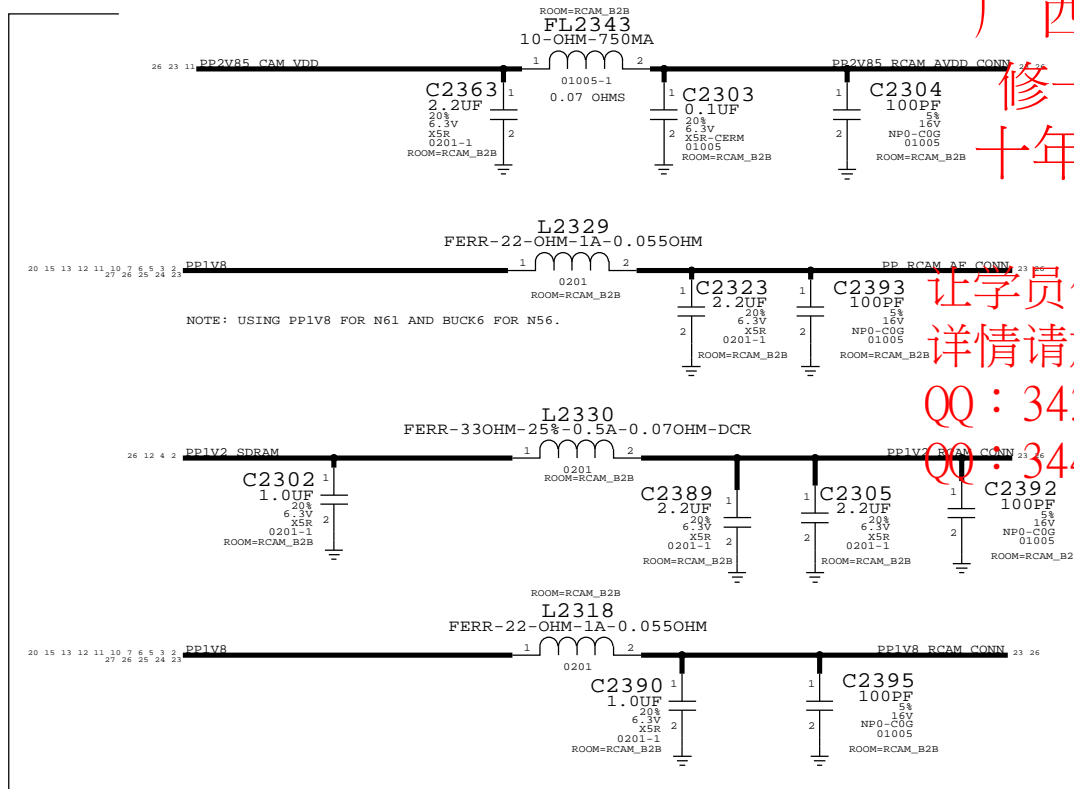


RCAM:
DIGITAL I/F
(I2C, CTRL, CLK)

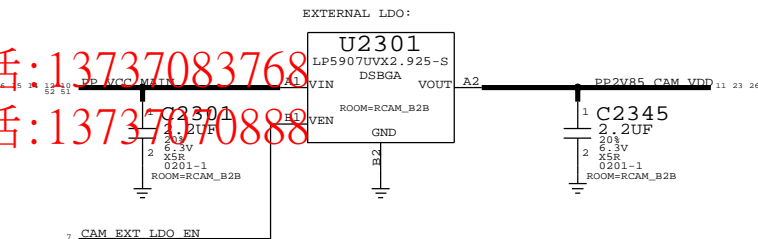


广西南宁功夫手机维修培训
修一切苹果 招天下学生
十年一线维修经验及教学经验

RCAM:
POWER:
(1.8V DVDD)
(2.8V AVDD)
(1.2V VCC)
(1.8V/2V AF)



RCAM RCAM AVDD RAIL EXT. LDO:



让学员们快速学会维修技术及原理分析

详情请加:

QQ: 343974077 翁老师电话: 13737083768

QQ: 344106191 王老师电话: 13737080888

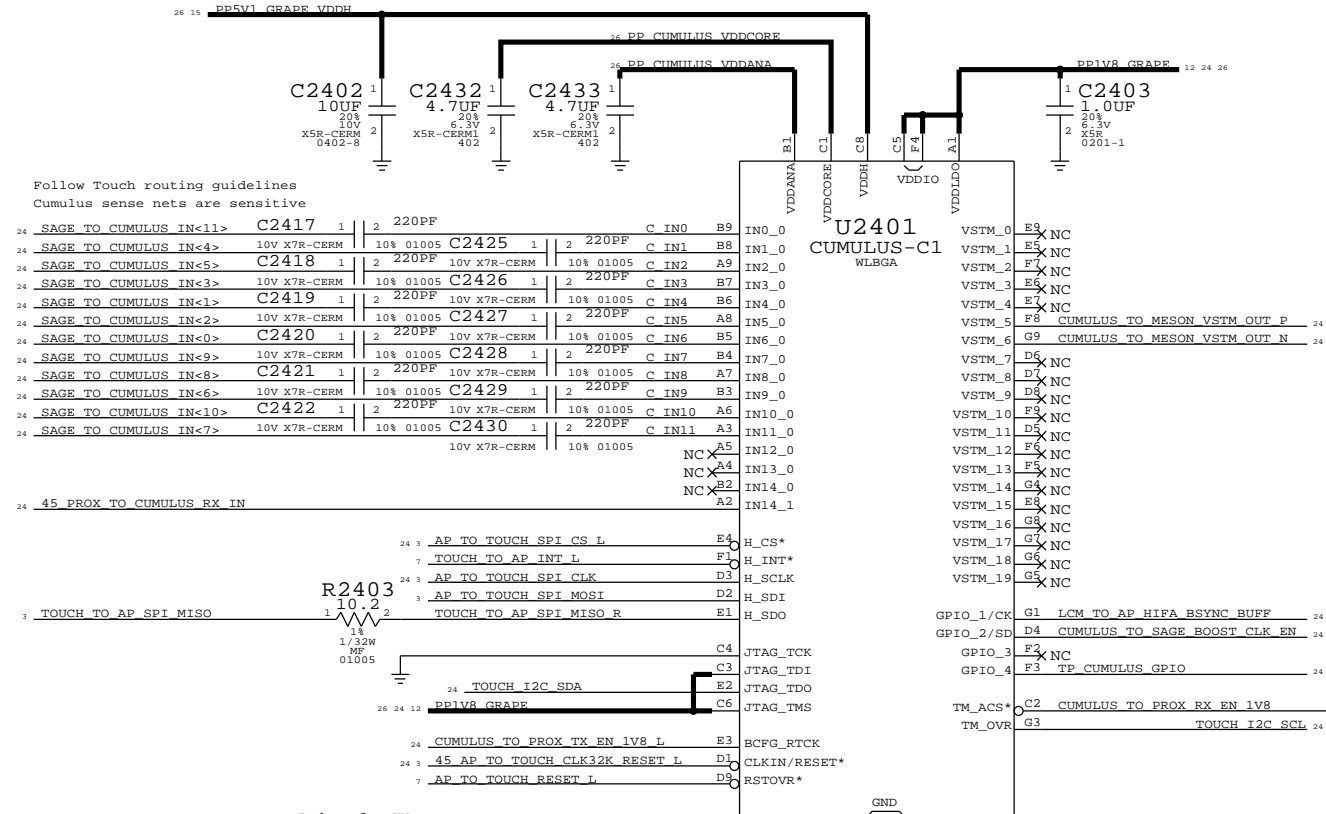
SYNC MASTER=N61 MLB		SYNC DATE=08/26/2013	
CAMERA: REAR FLEX CONN			
Apple Inc.		DRAWING NUMBER	051-9903
		REVISION	7.0.0
NOTICE OF PROPRIETARY PROPERTY:		BRANCH	
THE INFORMATION CONTAINED HEREIN IS THE PROPRIETARY PROPERTY OF APPLE INC. THE POSSESSOR AGREES TO THE FOLLOWING:		PAGE	
I TO MAINTAIN THIS DOCUMENT IN CONFIDENCE		23 OF 55	
II NOT TO REPRODUCE OR COPY IT		SHEET	
III NOT TO REVEAL OR PUBLISH IT IN WHOLE OR PART		23 OF 54	
IV ALL RIGHTS RESERVED			

Touch (B2B, Driver ICs)

Cumulus

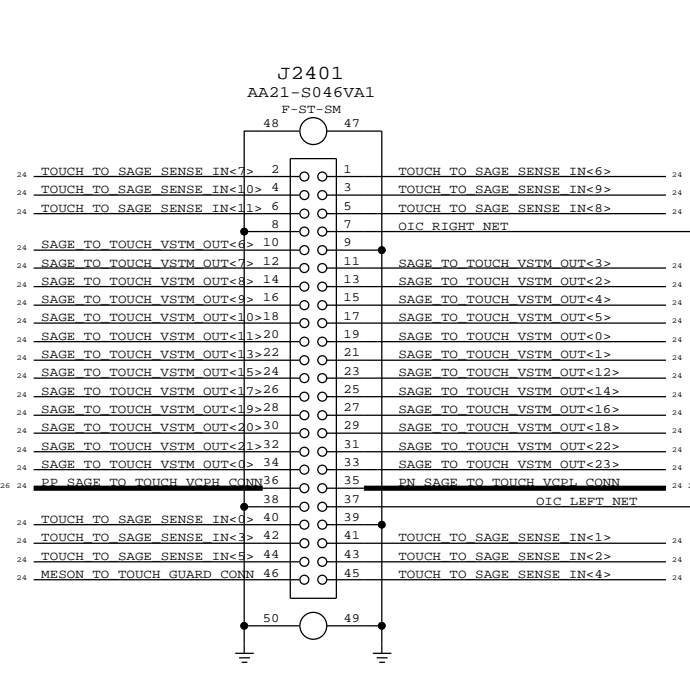
APN: 34350638

Turn on is later than PPIV8_GRAPE
Turn off is same time as PPIV8_GRAPE



Touch B2B

MLB APN : 516S1086 (Receptacle)
Flex APN: 516S1087 (Plug)

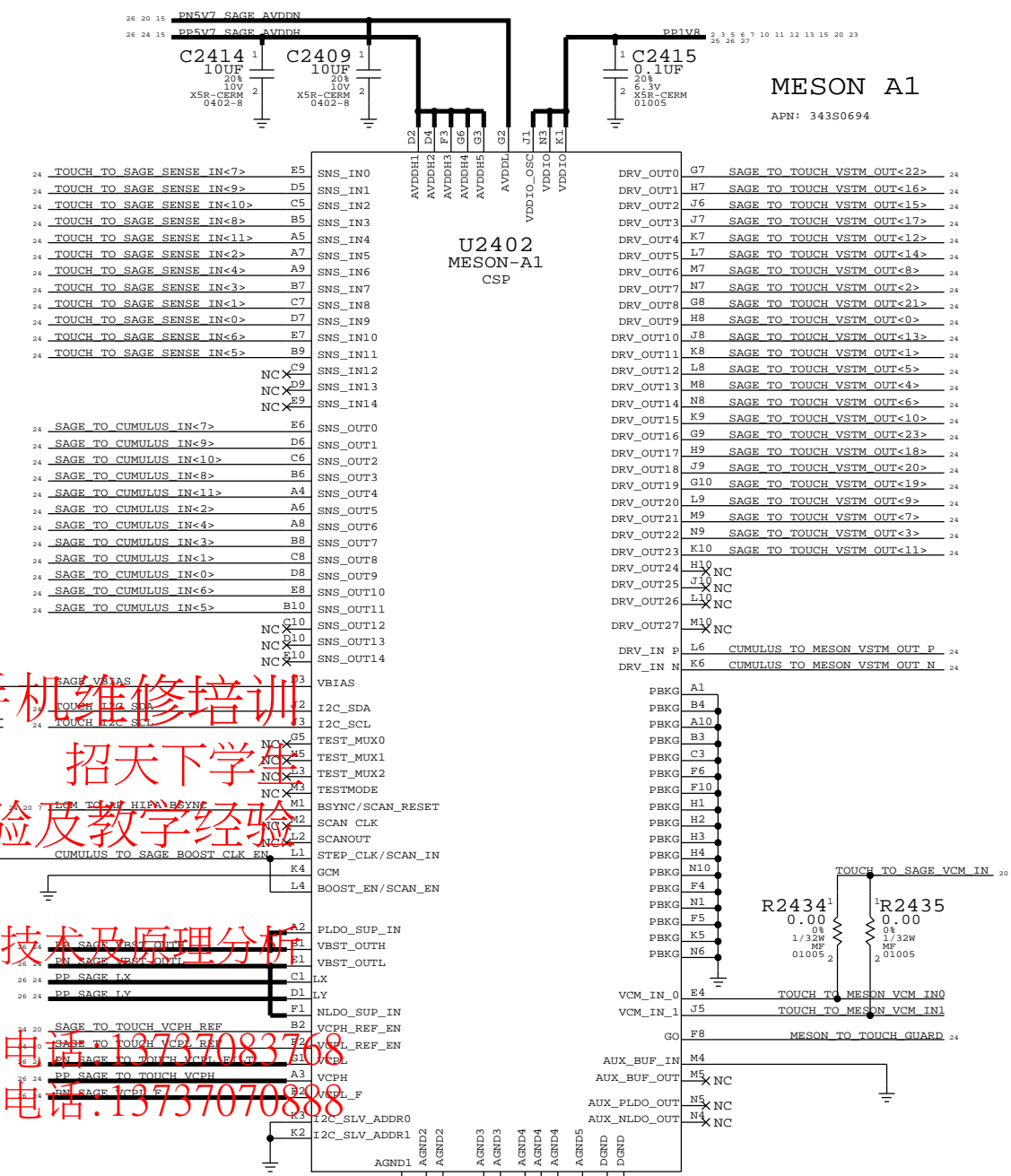


Touch probe points

- PP2402 CUMULUS TO SAGE BOOST CLK EN
- PP2403 AP TO TOUCH SPI CS L
- PP2404 AP TO TOUCH SPI CLK
- PP2405 LCM TO AP HIFA BSYNC
- PP2408 TP CUMULUS GPIO
- PP2410 CUMULUS TO MESON VSTM OUT N
- PP2411 CUMULUS TO MESON VSTM OUT P
- PP2412 45 AP TO TOUCH CLK32K RESET L

MESON A1

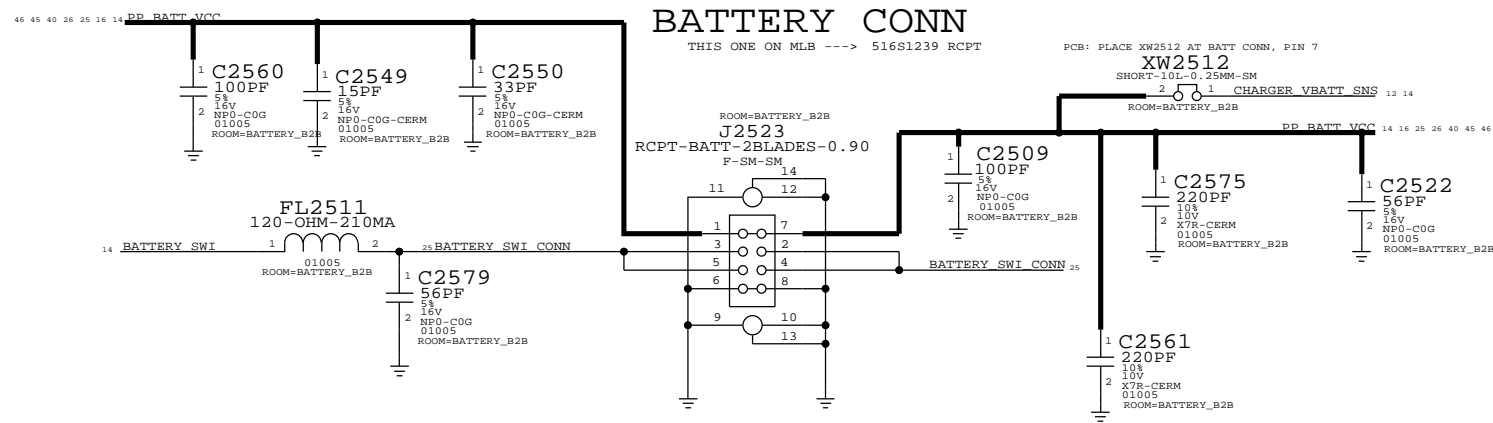
APN: 34350694



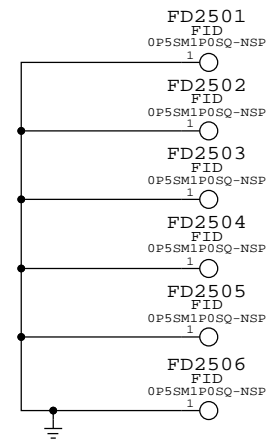
广西南宁功夫手机维修培训
修一切苹果
十年一线维修经验及教学经验
让学员们快速学会维修技术及原理分析
详情请加:
QQ: 343974077 翁老师电话: 13737070888
QQ: 344106191 王老师电话: 13737070888

TOUCH : CUMULUS , MESON	
Apple Inc.	DRAWING NUMBER: 051-9903
NOTICE OF PROPRIETARY PROPERTY:	REVISION: 7.0.0
THE INFORMATION CONTAINED HEREIN IS THE PROPRIETARY PROPERTY OF APPLE INC. THE POSSESSOR AGREES TO THE FOLLOWING:	PAGE: 24 OF 55
I TO MAINTAIN THIS DOCUMENT IN CONFIDENCE	SHEET: 24 OF 54
II NOT TO REPRODUCE OR COPY IT	
III NOT TO REVEAL OR PUBLISH IT IN WHOLE OR PART	
IV ALL RIGHTS RESERVED	

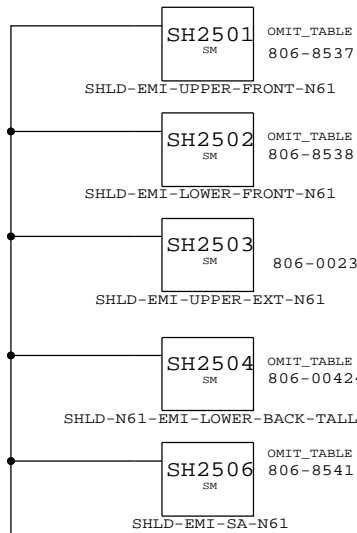
BATT CONN, TPS, STANDOFFS / SHIELDS / FIDUCIALS



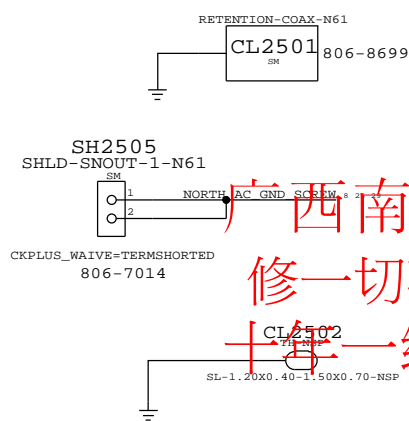
FIDUCIALS



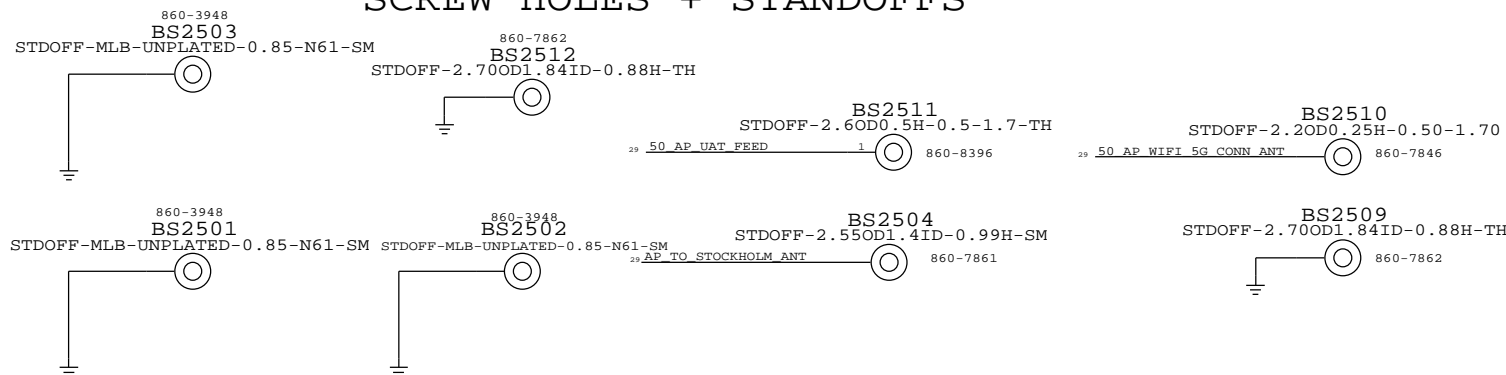
SHIELDS



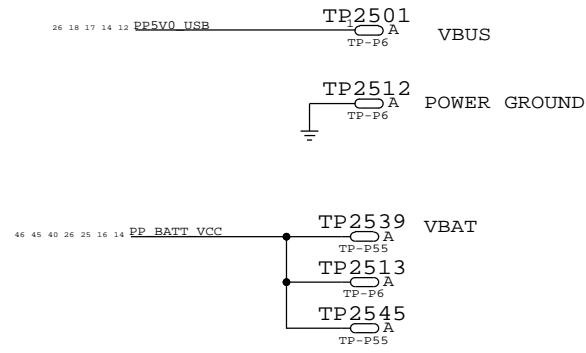
COWLING



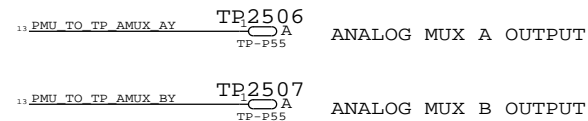
SCREW HOLES + STANDOFFS



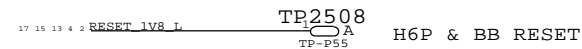
POWER TP



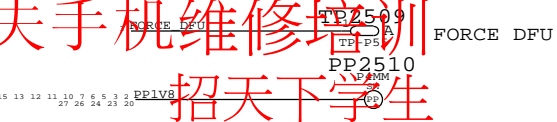
SUPER TP



RESET

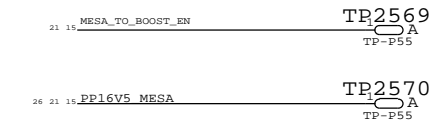


DFU

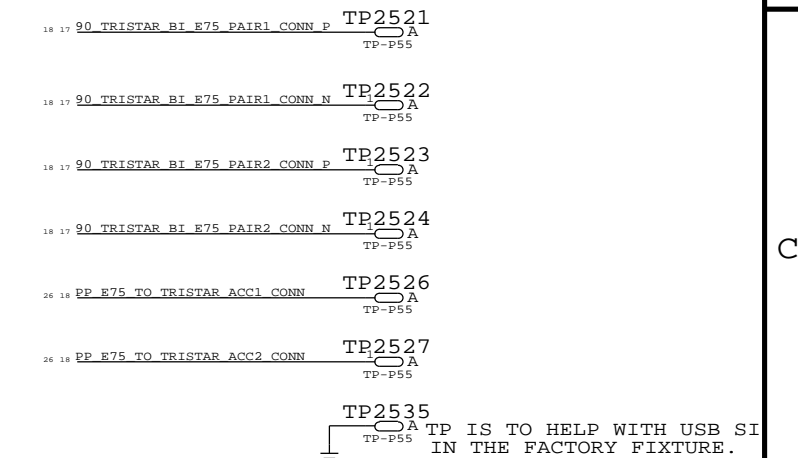


TESTPOINTS

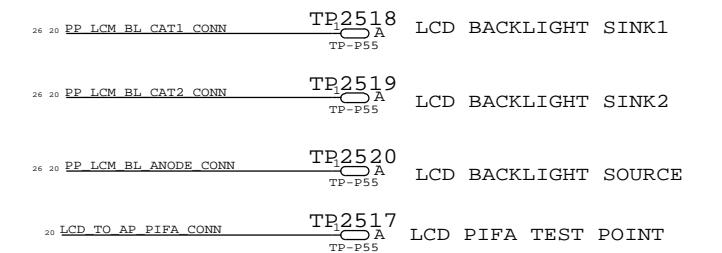
MOJAVE TP



E75 - USB/UART/ID/POWER



LCM BACKLIGHT



广西南宁功夫手机维修培训
修一切苹果 招天下学生
十年一线维修经验及教学经验

让学员们快速学会维修技术及原理分析
详情请加：
QQ：343974077 翁老师电话：13737083768
QQ：344106191 王老师电话：13737070888

SYNC MASTER=N61 MLB		SYNC DATE=08/26/2013	
POWER:BATT CONN,TPS,PD FEATURES			
Apple Inc.		DRAWING NUMBER	SIZE
		051-9903	D
		REVISION	
		7.0.0	
NOTICE OF PROPRIETARY PROPERTY:			
THE INFORMATION CONTAINED HEREIN IS THE PROPRIETARY PROPERTY OF APPLE INC. THE POSSESSOR AGREES TO THE FOLLOWING:			
I TO MAINTAIN THIS DOCUMENT IN CONFIDENCE		BRANCH	
II NOT TO REPRODUCE OR COPY IT		PAGE	25 OF 55
III NOT TO REVEAL OR PUBLISH IT IN WHOLE OR PART		SHEET	25 OF 54
IV ALL RIGHTS RESERVED			

N61 SPECIFIC

BOOTSTRAPPING (BOARD_REV, BOARD_ID, BOOT_CFG)

```
BOARD_REV[3:0]={GPIO34, GPIO35, GPIO36, GPIO37}
FLOAT=LOW, PULLUP=HIGH
1111 PROTOMLB1
1110 PROTOMLB2
1101 PROTO1
1100 PROTO2
1011 EVT
1010 EVT SPLIT CARBON DOE
1001 CARRIER BUILD <--- SELECTED
1000 DVT
```

```
BOARD_ID[4:0]={GPIO29, GPIO16, SPI0_MISO, SPI0_MOSI, SPI0_SCLK}
FLOAT=LOW, PULLUP=HIGH
00100 N56, T133 MLB
00101 N56 DEV
00110 FIJI N61 MLB <--- SELECTED
```

```
BOOT_CONFIG[2:0]={GPIO28, GPIO25, GPIO18}
FLOAT=LOW, PULLUP=HIGH
000 SPI0
001 SPI0 TEST MODE
010 NAND <--- SELECTED
011 NAND TEST MODE
100 NVME
101 NVME TEST MODE
111 FAST SPI
```

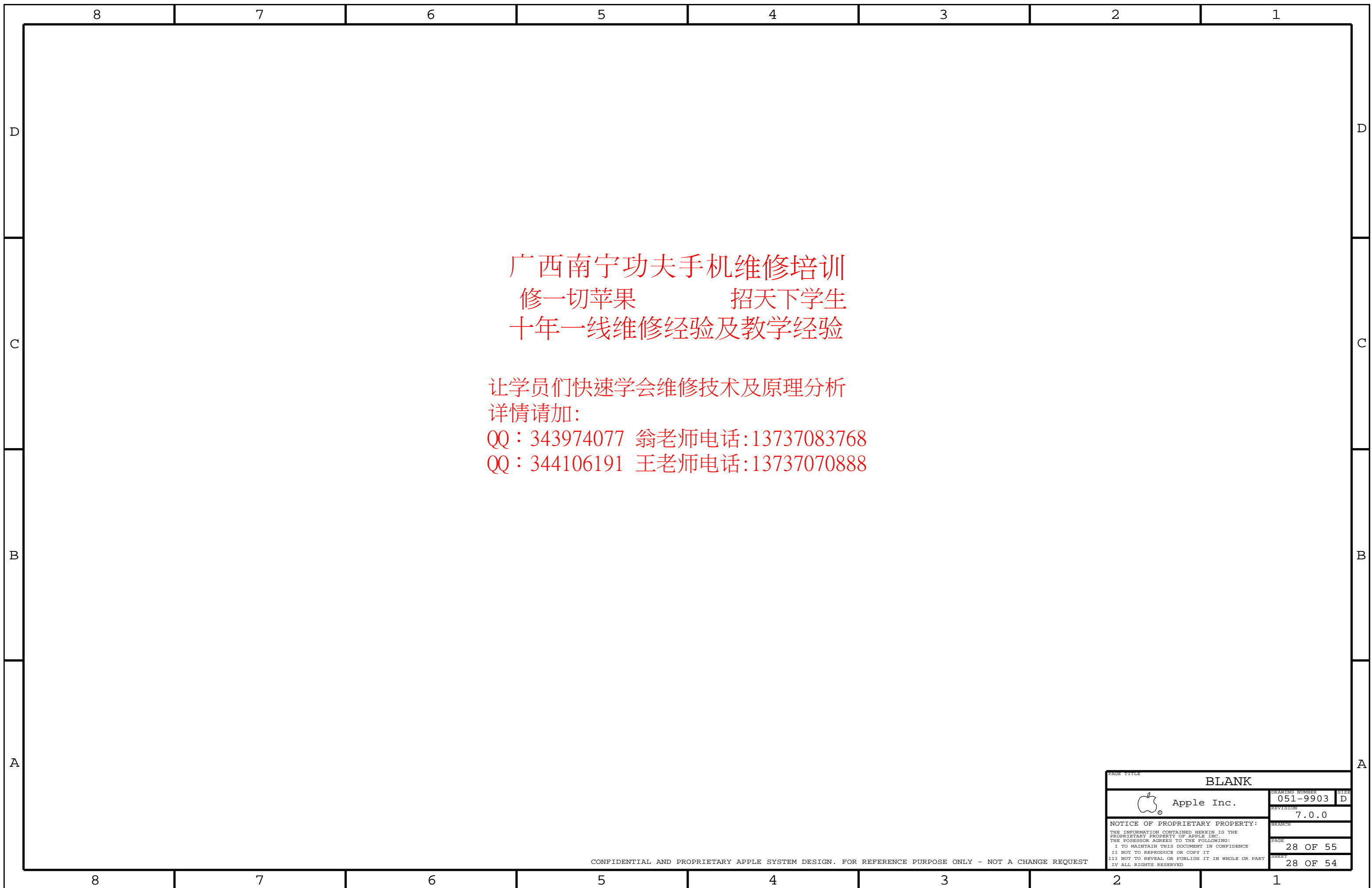
广西南宁功夫手机维修培训
修一切苹果 招天下学生
十年一线维修经验及教学经验

让学员们快速学会维修技术及原理分析
详情请加:

QQ: 343974077 翁老师电话: 13737083768

QQ: 344106191 王老师电话: 15737070888

PAGE TITLE		
SYSTEM:N61 SPECIFIC		
DRAWING NUMBER	051-9903	SIZE
		D
REVISION	7.0.0	
NOTICE OF PROPRIETARY PROPERTY:		
THE INFORMATION CONTAINED HEREIN IS THE PROPRIETARY PROPERTY OF APPLE INC. THE POSSESSOR AGREES TO THE FOLLOWING:		
I TO MAINTAIN THIS DOCUMENT IN CONFIDENCE		
II NOT TO REPRODUCE OR COPY IT		
III NOT TO REVEAL OR PUBLISH IT IN WHOLE OR PART		
IV ALL RIGHTS RESERVED		
PAGE	27 OF 55	
SHEET	27 OF 54	




广西南宁功夫手机维修培训
修一切苹果 招天下学生
十年一线维修经验及教学经验

让学员们快速学会维修技术及原理分析
详情请加：

QQ：343974077 翁老师电话：13737083768

QQ：344106191 王老师电话：13737070888

PAGE TITLE		BLANK	
 Apple Inc.	DRAWING NUMBER	051-9903	SIZE D
	REVISION	7.0.0	
NOTICE OF PROPRIETARY PROPERTY:		BRANCH	
THE INFORMATION CONTAINED HEREIN IS THE PROPRIETARY PROPERTY OF APPLE INC. THE POSSESSOR AGREES TO THE FOLLOWING:		PAGE	
I TO MAINTAIN THIS DOCUMENT IN CONFIDENCE		28 OF 55	
II NOT TO REPRODUCE OR COPY IT		SHEET	
III NOT TO REVEAL OR PUBLISH IT IN WHOLE OR PART		28 OF 54	
IV ALL RIGHTS RESERVED			

RADIO_MLB HIERARCHICAL SYMBOL

POWER

VCC_MAIN, VBAT GOES TO RADIO_MLB DIRECTLY
CHECK ALL PAGES IN RF SIDE!

CELLULAR HOUSE KEEPING

AP_TO_RADIO_ON_L	MAKE_BASE-TRIP	I325	RADIO_ON_L	30	32
BB_TO_AP_RESET_DET_L	MAKE_BASE-TRIP	I324	BB_RESET_DET_L	30	35
PMU_TO_BB_RST_L	MAKE_BASE-TRIP	I326	RF_PMIC_RESET_L	30	32
AP_TO_BB_RST_L	MAKE_BASE-TRIP	I327	BB_RST_L	30	32
AP_TO_BB_WAKE_MODEM	MAKE_BASE-TRIP	I329	AP_WAKE_MODEM	35	
BB_TO_PMU_HOST_WAKE_L	MAKE_BASE-TRIP	I328	BB_WAKE_HOST_L	30	35
BB_TO_AP_IPC_GPIO	MAKE_BASE-TRIP	I331	BB_IPC_GPIO	35	
BB_TO_LEDDRVM_GSM_BLANK	MAKE_BASE-TRIP	I330	GSM_TXBURST_IND	35	
BB_TO_AP_GPS_SYNC	MAKE_BASE-TRIP	I332	BB_GPS_SYNC	30	35

HSIC IPC

50_AP_BI_BB_HSIC1_DATA	MAKE_BASE-TRIP	I368	50_BB_HSIC_DATA	30	34
50_AP_BI_BB_HSIC1_STB	MAKE_BASE-TRIP	I369	50_BB_HSIC_STROBE	30	34
AP_TO_BB_HOST_RDY	MAKE_BASE-TRIP	I371	BB_HOST_RDY	30	35
BB_TO_AP_DEVICE_RDY	MAKE_BASE-TRIP	I370	BB_DEVICE_RDY	30	35
BB_TO_AP_IPC_GPIO1	MAKE_BASE-TRIP	I372	BB_IPC_GPIO1	30	35

UART IPC

AP_TO_BB_UART2_RTS_L	MAKE_BASE-TRIP	I373	BB_UART2_RTS_L	30	35
BB_TO_AP_UART2_CTS_L	MAKE_BASE-TRIP	I374	BB_UART2_CTS_L	30	35
AP_TO_BB_UART2_TXD	MAKE_BASE-TRIP	I374	BB_UART2_TXD	30	35
BB_TO_AP_UART2_RXD	MAKE_BASE-TRIP	I375	BB_UART2_RXD	30	35

AUDIO I2S

45_AP_TO_BB_I2S3_BCLK	MAKE_BASE-TRIP	I377	BB_I2S3_CLK	30	35
AP_TO_BB_I2S3_DOUT	MAKE_BASE-TRIP	I378	BB_I2S3_RXD	30	35
BB_TO_AP_I2S3_DIN	MAKE_BASE-TRIP	I379	BB_I2S3_TXD	30	35
AP_TO_BB_I2S3_LRCLK	MAKE_BASE-TRIP	I380	BB_I2S3_WS	30	35

OSCAR UART

OSCAR_TO_BB_UART_TXD	MAKE_BASE-TRIP	I382	BB_OTHER_UART_TXD	30	35
BB_TO_OSCAR_UART_RXD	MAKE_BASE-TRIP	I381	BB_OTHER_UART_RXD	30	35

BB DEBUG INTERFACES

AP_TO_BB_COREDUMP	MAKE_BASE-TRIP	I384	BB_CORE_DUMP	30	35
PMU_TO_BB_VBUS_DET	MAKE_BASE-TRIP	I387	BB_USB_VBUS	30	34
90_TRISTAR_BI_BB_USB_N	MAKE_BASE-TRIP	I386	90_BB_USB_N	30	34
90_TRISTAR_BI_BB_USB_P	MAKE_BASE-TRIP	I388	90_BB_USB_P	30	34

RADIO ANTENNA CONTROL

PP_BB_VDD_2V7	MAKE_BASE-TRIP	I389	PP_LD014_RFSW	31	41 42
BB_GPIO0	MAKE_BASE-TRIP	I390	BB_LAT_GPIO0	35	
BB_GPIO2	MAKE_BASE-TRIP	I391	BB_LAT_GPIO2	35	
BB_GPIO3	MAKE_BASE-TRIP	I392	BB_LAT_GPIO3	35	
BB_GPIO4	MAKE_BASE-TRIP	I394	BB_LAT_GPIO4	35	

FCT TESTING

RADIO_TO_PMU_ADC_SMP51	MAKE_BASE-TRIP	I395	ADC_SMP51	30	
RADIO_TO_PMU_ADC_PP_LD011_VDDIO	MAKE_BASE-TRIP	I396	ADC_PP_LD011	30	
RADIO_TO_PMU_ADC_PP_LD05_SIM	MAKE_BASE-TRIP	I398	ADC_PP_LD05	30	
RADIO_TO_PMU_ADC_SMP54	MAKE_BASE-TRIP	I397	ADC_SMP54	30	

UPPER RADIO ANTENNA CONTROL

50_AP_WIFI_5G_CONN_ANT	MAKE_BASE-TRIP	I410	50_WIFI_5G_CONN_ANT	50	
50_AP_UAT_FEED	MAKE_BASE-TRIP	I409	50_UPPER_ANT_FEED	50	
UAT_ANT_GND	MAKE_BASE-TRIP	I411	ANT_GND	50	
PP3V0_TRISTAR	MAKE_BASE-TRIP	I404	PAC_VDD_3V0	53	
NORTH_AC_GND_SCREW	MAKE_BASE-TRIP	I412	NORTH_ANT_GND	50	

POWER



WLAN/BT HOUSE KEEPING

45_PMU_TO_WLAN_CLK32K	MAKE_BASE-TRIP	I316	CLK32K_AP	30	51
PMU_TO_WLAN_REG_ON	MAKE_BASE-TRIP	I317	WLAN_REG_ON	30	51
WLAN_TO_PMU_HOST_WAKE	MAKE_BASE-TRIP	I318	HOST_WAKE_WLAN	30	51
PMU_TO_BT_REG_ON	MAKE_BASE-TRIP	I319	BT_REG_ON	30	51
AP_TO_BT_WAKE	MAKE_BASE-TRIP	I320	WAKE_BT	30	51
BT_TO_PMU_HOST_WAKE	MAKE_BASE-TRIP	I321	HOST_WAKE_BT	51	

AP TO WLAN JTAG SWCLK	MAKE_BASE-TRIP	I333	WLAN JTAG SWDCLK	30	51
AP TO WLAN JTAG SWDIO	MAKE_BASE-TRIP	I334	WLAN JTAG SWDIO	30	51
WLAN TO PMU PCIE WAKE_L	MAKE_BASE-TRIP	I335	WLAN_PCIE_WAKE_L	30	51
AP TO WLAN DEVICE WAKE	MAKE_BASE-TRIP	I336	PCIE_DEV_WAKE	30	51
90_WLAN_TO_WLAN_PCIE_TDP_P	MAKE_BASE-TRIP	I337	90_WLAN_PCIE_TDP	30	51
90_WLAN_TO_WLAN_PCIE_TDN_P	MAKE_BASE-TRIP	I338	90_WLAN_PCIE_TDN	30	51
90_WLAN_TO_WLAN_PCIE_TDP_P	MAKE_BASE-TRIP	I338	90_WLAN_PCIE_RDP	30	51
90_WLAN_TO_WLAN_PCIE_TDXD_P	MAKE_BASE-TRIP	I339	90_WLAN_PCIE_RDN	30	51
90_WLAN_TO_WLAN_PCIE_REFCLK1_P	MAKE_BASE-TRIP	I340	90_WLAN_PCIE_REFCLK_P	51	
90_WLAN_TO_WLAN_PCIE_REFCLK1_N	MAKE_BASE-TRIP	I341	90_WLAN_PCIE_REFCLK_N	51	
WLAN TO AP PCIE1 CLKREQ_N	MAKE_BASE-TRIP	I344	WLAN_PCIE_CLKREQ_L	30	51
AP TO WLAN_PCIE1_RST_L	MAKE_BASE-TRIP	I345	WLAN_PCIE_PERST_L	30	51

WLAN HSIC IPC

WLAN_TO_WLAN_UART4_RXD	MAKE_BASE-TRIP	I346	WLAN_UART_TXD	30	51
WLAN_TO_WLAN_UART4_TXD	MAKE_BASE-TRIP	I346	WLAN_UART_RXD	30	51
WLAN_TO_AP_UART4_CTS_L	MAKE_BASE-TRIP	I347	WLAN_UART_RTS_L	30	51
AP_TO_WLAN_UART4_RTS_L	MAKE_BASE-TRIP	I348	WLAN_UART_CTS_L	30	51

BT UART IPC

AP_TO_BT_UART1_CTS_L	MAKE_BASE-TRIP	I349	BT_UART_CTS_L	51	
BT_TO_AP_UART1_CTS_L	MAKE_BASE-TRIP	I350	BT_UART_RTS_L	51	
AP_TO_BT_UART1_TXD	MAKE_BASE-TRIP	I351	BT_UART_RXD	30	51
BT_TO_AP_UART1_RXD	MAKE_BASE-TRIP	I350	BT_UART_TXD	30	51

BT AUDIO PCM

45_AP_TO_BT_I2S1_BCLK	MAKE_BASE-TRIP	I354	BT_PCM_CLK	51	
AP_TO_BT_I2S1_DOUT	MAKE_BASE-TRIP	I355	BT_PCM_IN	51	
BT_TO_AP_I2S1_DIN	MAKE_BASE-TRIP	I355	BT_PCM_OUT	51	
AP_TO_BT_I2S1_LRCLK	MAKE_BASE-TRIP	I356	BT_PCM_SYNC	51	

OSCAR STATES

OSCAR_TO_RADIO_CONTEXT_A	MAKE_BASE-TRIP	I358	OSCAR_CONTEXT_A	51	
OSCAR_TO_RADIO_CONTEXT_B	MAKE_BASE-TRIP	I357	OSCAR_CONTEXT_B	51	

STOCKHOLM

STOCKHOLM_TO_AP_UART3_CTS_L	MAKE_BASE-TRIP	I359	STOCKHOLM_RTS_L	30	52
AP_TO_STOCKHOLM_UART3_RTS_L	MAKE_BASE-TRIP	I360	STOCKHOLM_CTS_L	30	52
STOCKHOLM_TO_AP_UART3_RXD	MAKE_BASE-TRIP	I361	STOCKHOLM_UART_TXD	30	52
AP_TO_STOCKHOLM_UART3_TXD	MAKE_BASE-TRIP	I362	STOCKHOLM_UART_RXD	30	52
AP_TO_STOCKHOLM_DWLD_REQ	MAKE_BASE-TRIP	I363	STOCKHOLM_FW_DWLD_REQ	52	
STOCKHOLM_TO_PMU_HOST_WAKE	MAKE_BASE-TRIP	I364	STOCKHOLM_HOST_WAKE	30	52
AP_TO_STOCKHOLM_EN	MAKE_BASE-TRIP	I365	STOCKHOLM_ENABLE	53	
PP3V0_TRISTAR	MAKE_BASE-TRIP	I366	STOCKHOLM_VDD_MUX_3V0	54	
AP_TO_STOCKHOLM_SIM_SEL	MAKE_BASE-TRIP	I367	STOCKHOLM_SIM_SEL	54	
AP TO STOCKHOLM ANT	MAKE_BASE-TRIP	I406	STOCKHOLM_ANT	52	

南宁功夫手机维修培训
修一切苹果
十年一线维修经验及教学经验

让学员们快速学会维修技术及原理分析
详情请加:
QQ: 343974077 翁老师电话: 13737083768
QQ: 344106191 王老师电话: 13737070888

CELL: ALIASES		
Apple Inc.	DRAWING NUMBER	051-9903
	REVISION	7.0.0
NOTICE OF PROPRIETARY PROPERTY:		
THE INFORMATION CONTAINED HEREIN IS THE PROPRIETARY PROPERTY OF APPLE INC. THE POSSESSOR AGREES TO THE FOLLOWING:		
I TO MAINTAIN THIS DOCUMENT IN CONFIDENCE		
I I NOT TO REPRODUCE OR COPY IT		
I I I NOT TO REVEAL OR PUBLISH IT IN WHOLE OR PART		
I I I ALL RIGHTS RESERVED		
PAGE	30	OF 55
SHEET	29	OF 54

AP INTERFACE & DEBUG CONNECTORS

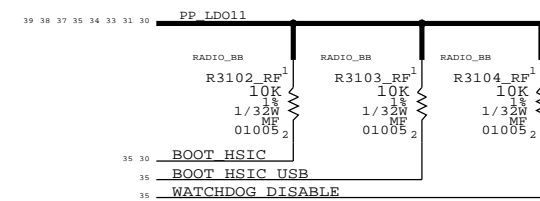
PROBE POINTS

PP3105_RF P2MM-NSM SM 1 CLK32K_AP 29 51	PP3121_RF P2MM-NSM SM 1 STOCKHOLM_HOST_WAKE 29 52	PP3115_RF P4MM-NSM SM 1 50_BB_HSIC_STROBE 29 34	PP3130_RF P4MM-NSM SM 1 BB_JTAG_RST_L 34	PP3141_RF P4MM-NSM SM 1 BB_UART_TXD 29 35	PP3170_RF P4MM-NSM SM 1 RFFE1_CLK 35 39 40 41 42 43 44
PP3113_RF P4MM-NSM SM 1 BB_COEX_UART_RXD 35 51	PP3122_RF P4MM-NSM SM 1 BB_REQUEST_XO_CLK 32 52	PP3116_RF P4MM-NSM SM 1 50_BB_HSIC_DATA 29 34	PP3131_RF P4MM-NSM SM 1 BB_JTAG_TCK 34	PP3142_RF P4MM-NSM SM 1 BB_UART_RXD 29 35	PP3171_RF P4MM-NSM SM 1 RFFE1_DATA 35 39 40 41 42 43 44
PP3114_RF P4MM-NSM SM 1 BB_COEX_UART_TXD 35 51	PP3123_RF P2MM-NSM SM 1 STOCKHOLM_UART_RXD 29 52	PP3101_RF P4MM-NSM SM 1 BB_DEBUG_ERROR 35	PP3132_RF P4MM-NSM SM 1 BB_JTAG_TMS 34	PP3143_RF P4MM-NSM SM 1 BB_UART_RTS_L 29 35	PP3172_RF P4MM-NSM SM 1 RFFE2_CLK 35 45 46 48
PP3119_RF P2MM-NSM SM 1 BT_UART_TXD 29 51	PP3124_RF P2MM-NSM SM 1 STOCKHOLM_UART_TXD 29 52	PP3102_RF P4MM-NSM SM 1 RF_PMIC_RESET_L 29 32	PP3133_RF P4MM-NSM SM 1 BB_JTAG_TDO 34	PP3144_RF P4MM-NSM SM 1 BB_UART_CTS_L 29 35	PP3173_RF P4MM-NSM SM 1 RFFE2_DATA 35 45 46 48
PP3120_RF P2MM-NSM SM 1 BT_UART_RXD 29 51	PP3125_RF P2MM-NSM SM 1 STOCKHOLM_CTS_L 29 52	PP3103_RF P4MM-NSM SM 1 PS_HOLD_PMIC 32	PP3134_RF P4MM-NSM SM 1 BB_JTAG_TDI 34	PP3145_RF P4MM-NSM SM 1 BB_HOST_RDY 29 35	PP3175_RF P4MM-NSM SM 1 BB_I2S_WS 29 35
PP3152_RF P2MM-NSM SM 1 WAKE_BT 29 51	PP3126_RF P2MM-NSM SM 1 STOCKHOLM_RTS_L 29 52	PP3127_RF P4MM-NSM SM 1 PMIC_RESOUT_L 32 34	PP3135_RF P4MM-NSM SM 1 BB_JTAG_TEST_L 34	PP3146_RF P4MM-NSM SM 1 BB_DEVICE_RDY 29 35	PP3176_RF P4MM-NSM SM 1 BB_I2S_RXD 29 35
PP3153_RF P2MM-NSM SM 1 WLAN_REG_ON 29 51	PP3128_RF P2MM-NSM SM 1 PP_PN65_VCC_SIM 52	PP3104_RF P4MM-NSM SM 1 MDM_CLK 32 34	PP3136_RF P4MM-NSM SM 1 BB_DEBUG_STATUS 35	PP3147_RF P4MM-NSM SM 1 BB_WAKE_HOST_L 29 35	PP3177_RF P4MM-NSM SM 1 BB_I2S_TXD 29 35
PP3154_RF P4MM-NSM SM 1 BT_REG_ON 29 51	PP3174_RF P4MM-NSM SM 1 STOCKHOLM_SIM_SWP 52 54	PP3109_RF P4MM-NSM SM 1 PP_LD011 30 31 33 34	PP3137_RF P4MM-NSM SM 1 BB_RESET_TMR 29 35	PP3148_RF P4MM-NSM SM 1 BB_WAKE_HOST_L 29 35	PP3178_RF P4MM-NSM SM 1 BB_OTHER_TXD 29 35
PP3155_RF P2MM-NSM SM 1 HOST_WAKE_WLAN 29 51	PP3129_RF P4MM-NSM SM 1 REF_CLK_FROM_BB 32 52	PP3110_RF P4MM-NSM SM 1 RADIO_ON_L 29 32	PP3138_RF P4MM-NSM SM 1 BB_RESET_TMR 29 35	PP3149_RF P4MM-NSM SM 1 BB_RESET_TMR 29 35	PP3179_RF P4MM-NSM SM 1 BB_OTHER_RXD 29 35
PP3156_RF P2MM-NSM SM 1 WLAN_PCIE_WAKE_L 29 51	PP3165_RF P4MM-NSM SM 1 DSDS_SIM_CLK 34 54	PP3111_RF P4MM-NSM SM 1 SPMI_DATA 32 34	PP3139_RF P4MM-NSM SM 1 90_BB_USB_N 29 34	PP3150_RF P4MM-NSM SM 1 BB_RST_L 29 32	
PP3157_RF P2MM-NSM SM 1 WLAN_PCIE_PERST_L 29 51	PP3183_RF P4MM-NSM SM 1 DSDS_SIM_RESET 34 54	PP3112_RF P4MM-NSM SM 1 SPMI_CLK 32 34	PP3140_RF P4MM-NSM SM 1 90_BB_USB_P 29 34	PP3151_RF P4MM-NSM SM 1 BOOT_HSIC 30 35	
PP3158_RF P4MM-NSM SM 1 WLAN_PCIE_CLKREQ_L 29 51	PP3184_RF P4MM-NSM SM 1 DSDS_SIM_DATA 34 54				
PP3159_RF P4MM-NSM SM 1 PCIE_DEV_WAKE 29 51	PP3188_RF P4MM-NSM SM 1 DSDS_SIM_DETECT 34				
PP3160_RF P2MM-NSM SM 1 WLAN_UART_RTS_L 29 51	PP3187_RF P4MM-NSM SM 1 PP_LD06 31 33 54				
PP3161_RF P2MM-NSM SM 1 WLAN_UART_CTS_L 29 51	PP3188_RF P4MM-NSM SM 1 DSDS_SIM_SWP 54				
PP3162_RF P2MM-NSM SM 1 WLAN_UART_RXD 29 51	PP3189_RF P4MM-NSM SM 1 DSDS_SIM_DATA_R 54				
PP3163_RF P2MM-NSM SM 1 WLAN_UART_TXD 29 51	PP 3178_RF P2MM-NSM SM 1 BB_SIM_RESET 30 35				
PP3190_RF P2MM-NSM SM 1 WLAN_JTAG_SWCLK 29 51	PP 3179_RF P2MM-NSM SM 1 BB_SIM_CLK 30 35				
PP3191_RF P2MM-NSM SM 1 WLAN_JTAG_SWDIO 29 51	PP 3180_RF P2MM-NSM SM 1 BB_SIM_DATA 30 35				
	PP 3183_RF P2MM-NSM SM 1 BB_SIM_DETECT 30 35				
	PP 3184_RF P2MM-NSM SM 1 PP_LD05 30 31 33 54				

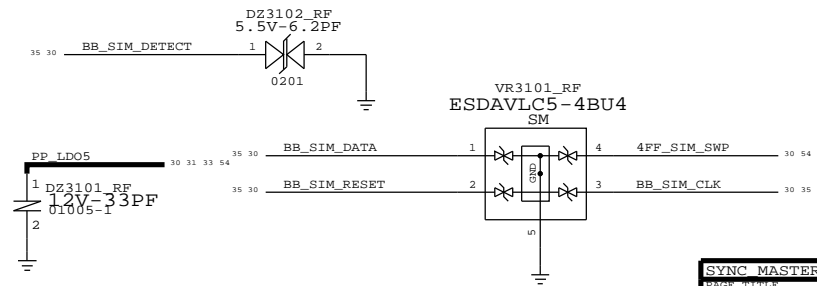
广西南宁功夫手机维修培训
 修一切苹果 招天下学生
 十年一线维修经验及教学经验
 让学员们快速学会维修技术及原理分析
 详情请加：

QQ: 343974077 翁老师电话: 13737083768
 QQ: 344106191 王老师电话: 13737070888

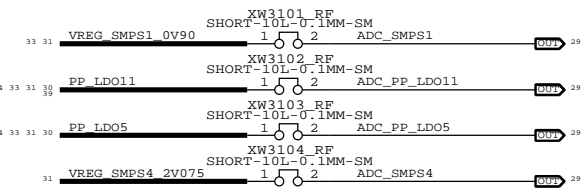
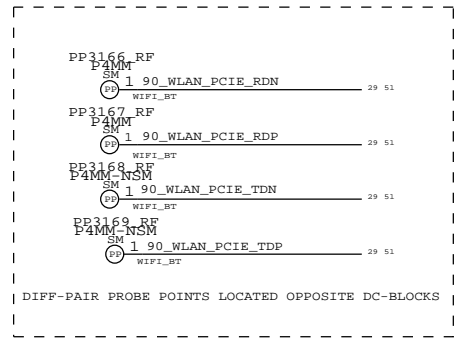
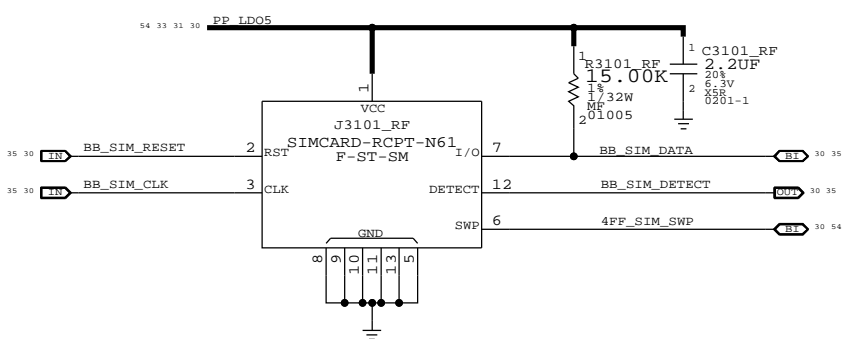
PART NUMBER	ALTERNATE PART NUMBER	HOW OBTAIN	REF. REF.	COMMENTS
197S0565	197S0593	ALTERNATE	Y3301_RF	KDS 19.2MM KVAL
197S0598	197S0593	ALTERNATE	Y3301_RF	AVX18.2MM XTAL
138S00005	138S00005	ALTERNATE	C3216_RF	150F CAPACITOR
138S0739	138S0706	ALTERNATE	C4207_RF	1.0UF CAPACITOR
138S0945	138S0706	ALTERNATE	C4207_RF	1.0UF CAPACITOR
138S1103	138S0719	ALTERNATE	C4007_RF	4.7UF CAPACITOR
339S0231	339S0228	ALTERNATE	U5201_RF	CORONA MODULE USI
339S0242	339S0228	ALTERNATE	U5201_RF	CORONA MODULE TDK
155S00024	155S0950	ALTERNATE	F_TRI_RF	TRIPLEXER BIN2



SIM CARD ESD PROTECTION



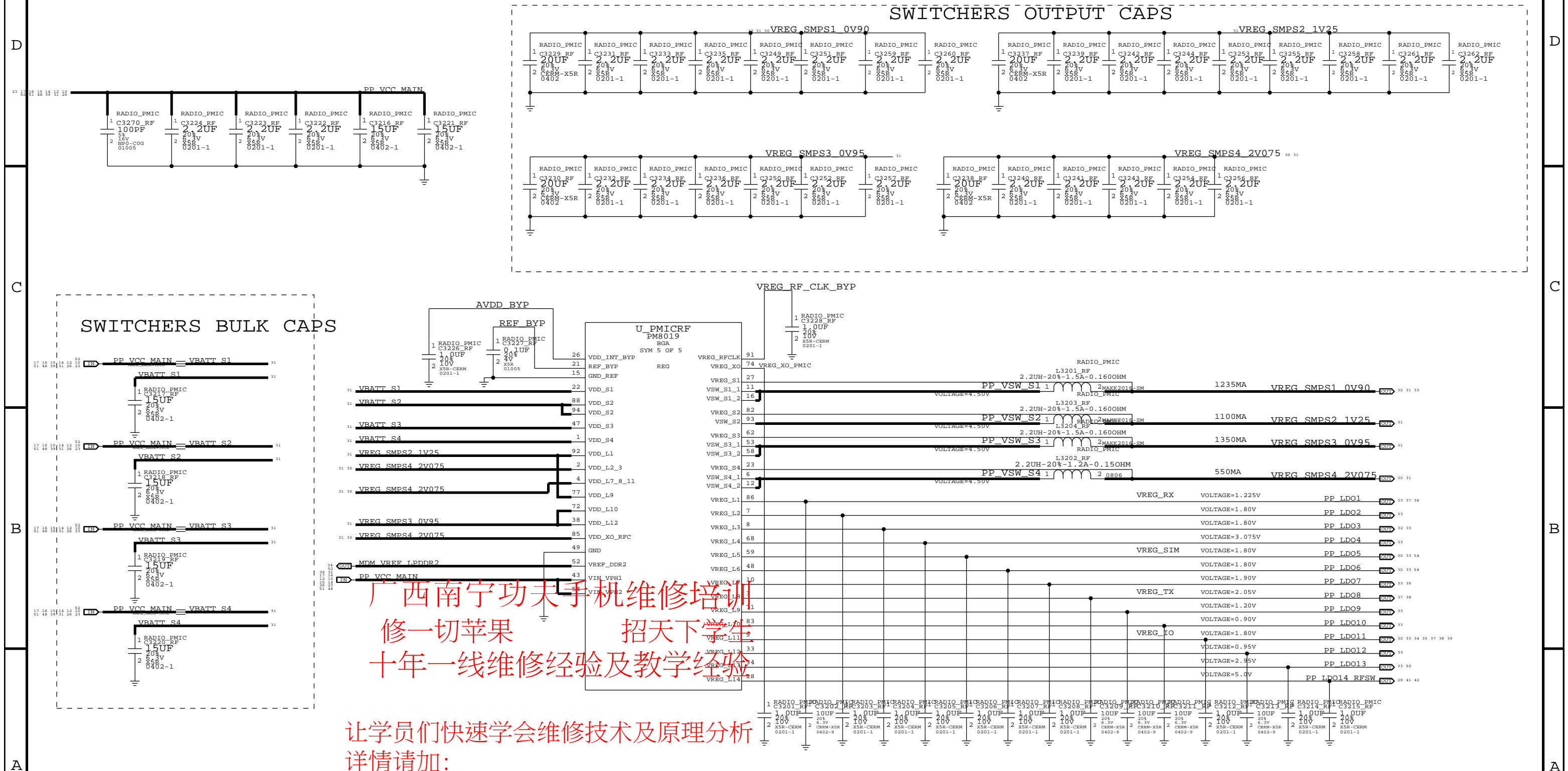
SIM CARD CONNECTOR



PAGE TITLE		SYNC DATE=N/A	
AP INTERFACE & DEBUG CONNECTORS		DRAWING NUMBER	SIZE
Apple Inc.		051-9903	D
REVISION		7.0.0	
NOTICE OF PROPRIETARY PROPERTY:		BRANCH	
THE INFORMATION CONTAINED HEREIN IS THE PROPRIETARY PROPERTY OF APPLE INC. THE POSSESSOR AGREES TO THE FOLLOWING:		PAGE	
I TO MAINTAIN THIS DOCUMENT IN CONFIDENCE		31 OF 55	
I I NOT TO REPRODUCE OR COPY IT		SHEET	
I I NOT TO REVEAL OR PUBLISH IT IN WHOLE OR PART		30 OF 54	
I V ALL RIGHTS RESERVED			

BASEBAND PMU (1 OF 2)

CONFIDENTIAL AND PROPRIETARY APPLE SYSTEM DESIGN. FOR REFERENCE PURPOSES ONLY - NOT A CHANGE REQUEST.



广西南宁功夫手机维修培训
修一切苹果 招天下学生
十年一线维修经验及教学经验

让学员们快速学会维修技术及原理分析
详情请加:

QQ: 343974077 翁老师电话: 13737083768

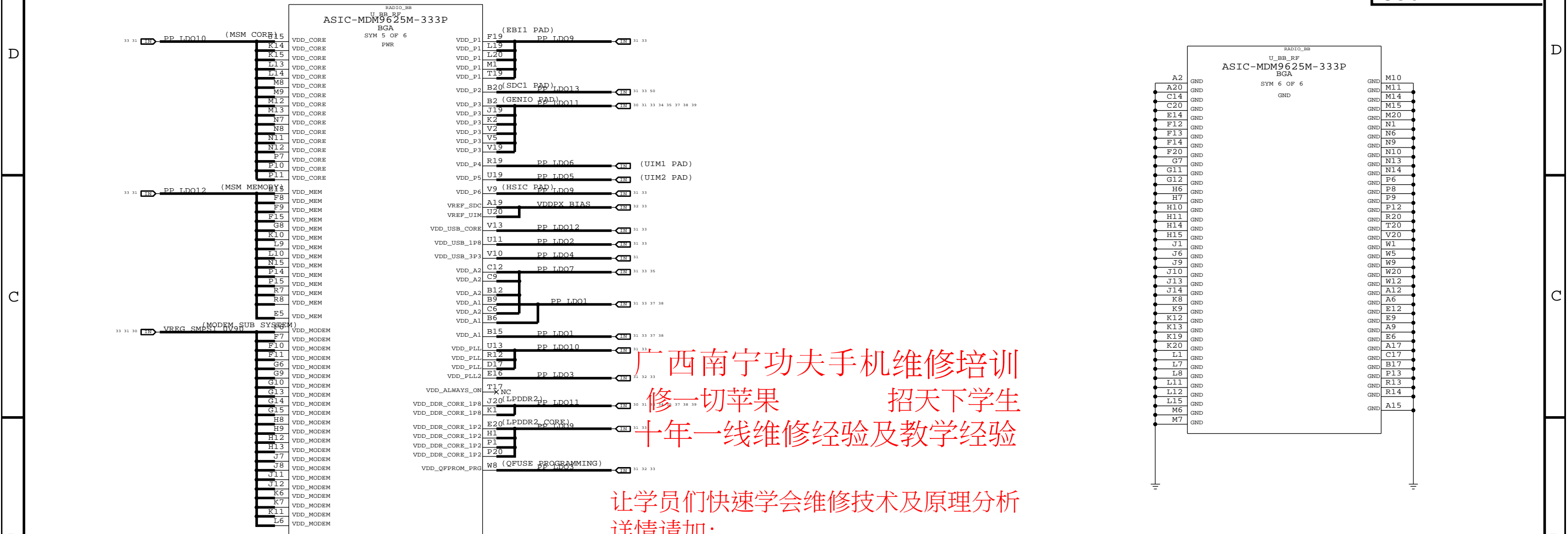
QQ: 344106191 王老师电话: 13737070888

BASEBAND PMU (1 OF 2)	
Apple Inc.	DRAWING NUMBER: 051-9903 D
	REVISION: 7.0.0
NOTICE OF PROPRIETARY PROPERTY: THE INFORMATION CONTAINED HEREIN IS THE PROPRIETARY PROPERTY OF APPLE INC. THE POSSESSOR AGREES TO THE FOLLOWING: I TO MAINTAIN THIS DOCUMENT IN CONFIDENCE II NOT TO REPRODUCE OR COPY IT III NOT TO REVEAL OR PUBLISH IT IN WHOLE OR PART IV ALL RIGHTS RESERVED	
PAGE: 32 OF 55	SHEET: 31 OF 54

BASEBAND (1 OF 3)

CONFIDENTIAL AND PROPRIETARY APPLE SYSTEM DESIGN. FOR REFERENCE PURPOSES ONLY - NOT A CHANGE REQUEST.

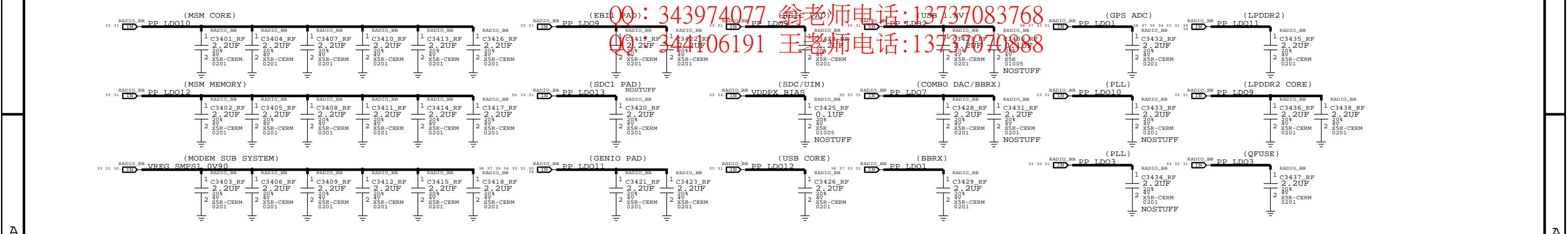
C538
R500
L500
U502



广西南宁功夫手机维修培训
修一切苹果 招天下学生
十年一线维修经验及教学经验

让学员们快速学会维修技术及原理分析
详情请加：

QQ: 343974077 翁老师电话: 13737083768
QQ: 344106191 王老师电话: 13737070888

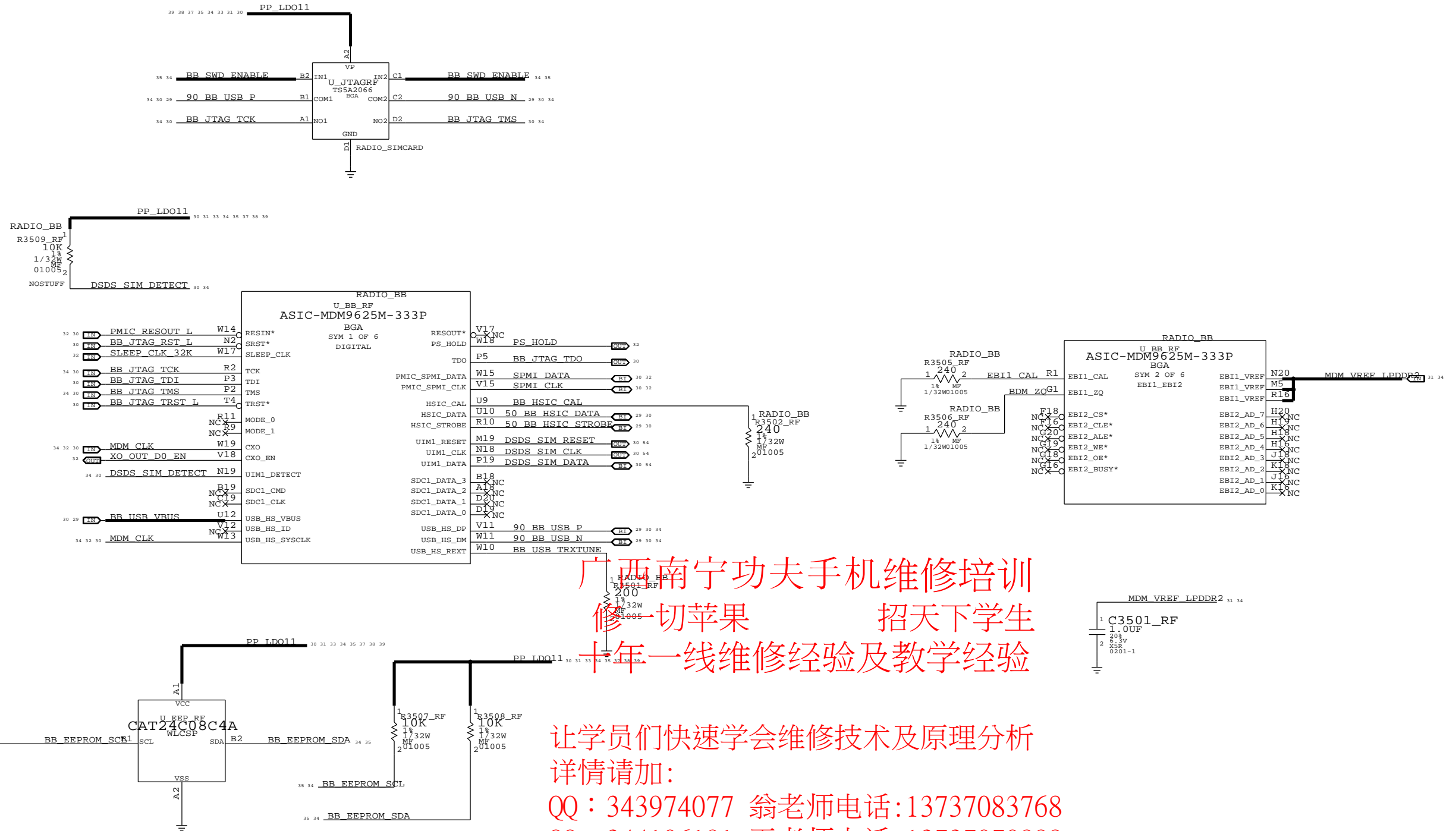


PAGE TITLE	
BASEBAND (1 OF 2)	
Apple Inc.	DRAWING NUMBER: 051-9903 D
	REVISION: 7.0.0
NOTICE OF PROPRIETARY PROPERTY:	
THE INFORMATION CONTAINED HEREIN IS THE PROPRIETARY PROPERTY OF APPLE INC. THE POSSESSOR AGREES TO THE FOLLOWING:	
I TO MAINTAIN THIS DOCUMENT IN CONFIDENCE	PAGE: 34 OF 55
II NOT TO REPRODUCE OR COPY IT	SHEET: 33 OF 54
III NOT TO REVEAL OR PUBLISH IT IN WHOLE OR PART	
IV ALL RIGHTS RESERVED	

BASEBAND (2 OF 3)

CONFIDENTIAL AND PROPRIETARY APPLE SYSTEM DESIGN. FOR REFERENCE PURPOSES ONLY - NOT A CHANGE REQUEST.

C600
R606
L600
U602



广西南宁功夫手机维修培训
修一切苹果 招天下学生
十年一线维修经验及教学经验

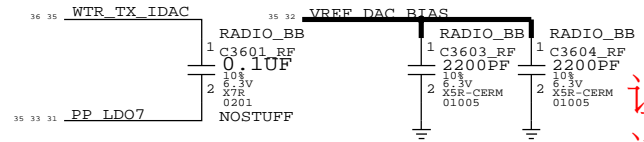
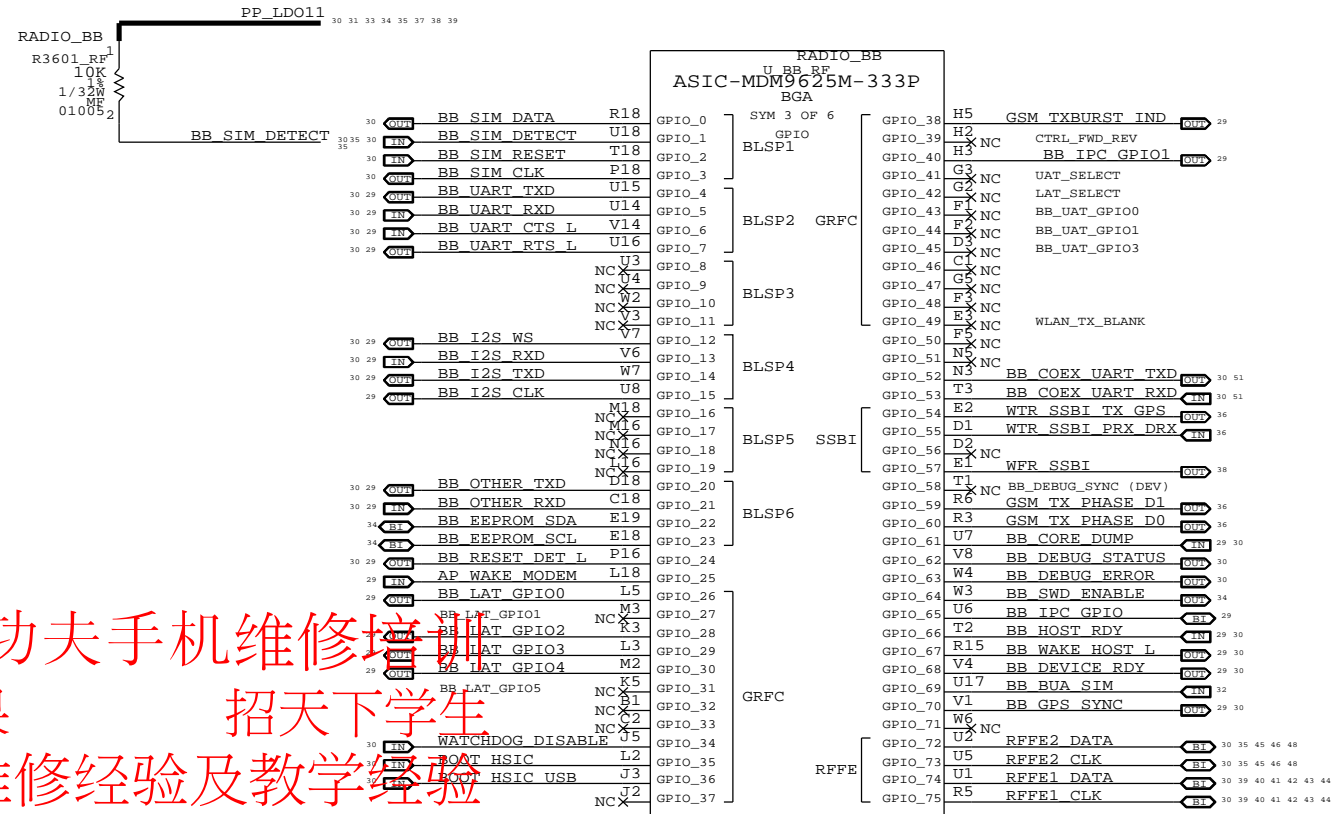
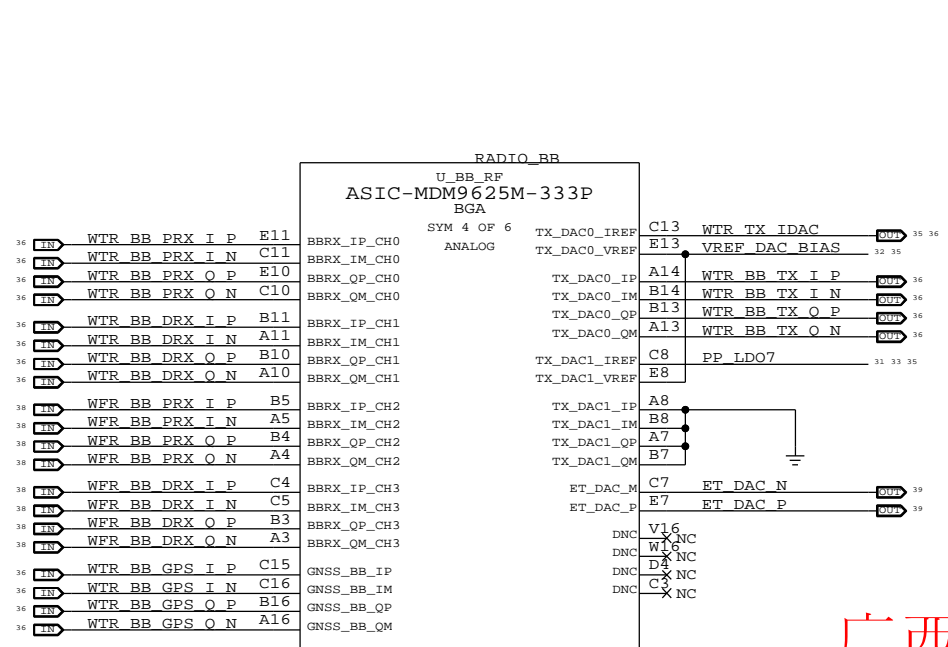
让学员们快速学会维修技术及原理分析
详情请加:
QQ: 343974077 翁老师电话: 13737083768
QQ: 344106191 王老师电话: 13737070888

PAGE TITLE		BASEBAND (1 OF 2)	
DRAWING NUMBER		051-9903 D	
REVISION		7.0.0	
NOTICE OF PROPRIETARY PROPERTY:		BRANCH	
THE INFORMATION CONTAINED HEREIN IS THE PROPRIETARY PROPERTY OF APPLE INC. THE POSSESSOR AGREES TO THE FOLLOWING:		PAGE	
I TO MAINTAIN THIS DOCUMENT IN CONFIDENCE		35 OF 55	
II NOT TO REPRODUCE OR COPY IT		SHEET	
III NOT TO REVEAL OR PUBLISH IT IN WHOLE OR PART		34 OF 54	
IV ALL RIGHTS RESERVED			

BASEBAND (3 OF 3)

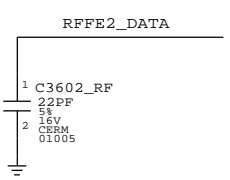
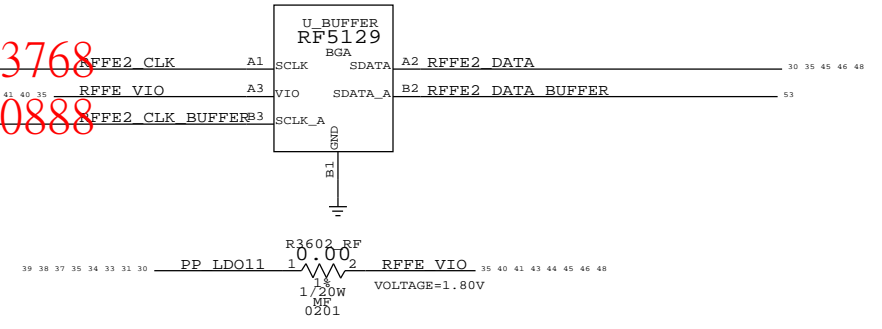
CONFIDENTIAL AND PROPRIETARY APPLE SYSTEM DESIGN. FOR REFERENCE PURPOSES ONLY - NOT A CHANGE REQUEST.

C704
R700
L700
U702



广西南宁功夫手机维修培训
修一切苹果 招天下学生
十年一线维修经验及教学经验

让学员们快速学会维修技术及原理分析
详情请加：
QQ：343974077 翁老师电话：13737083768
QQ：344106191 王老师电话：13737070888

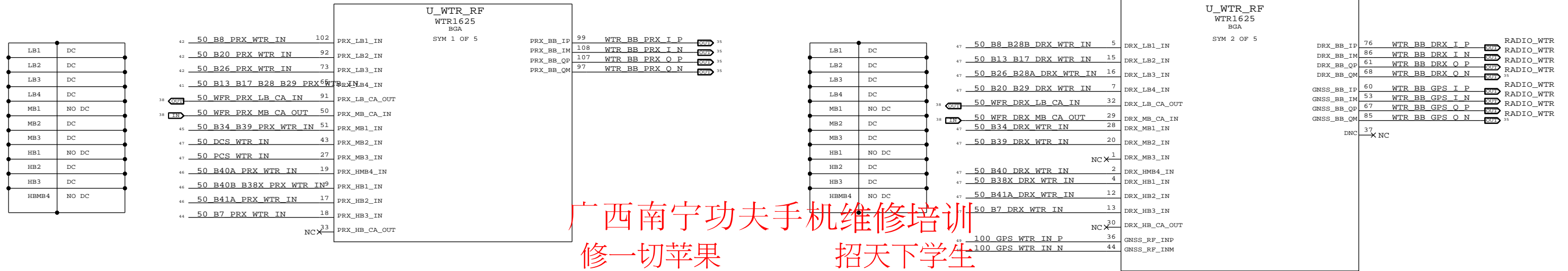


MOBILE DATA MODEM (2 OF 2)	
Apple Inc.	051-9903
REVISION	7.0.0
NOTICE OF PROPRIETARY PROPERTY:	BRANCH
THE INFORMATION CONTAINED HEREIN IS THE PROPRIETARY PROPERTY OF APPLE INC. THE POSSESSOR AGREES TO THE FOLLOWING:	PAGE
I TO MAINTAIN THIS DOCUMENT IN CONFIDENCE	36 OF 55
II NOT TO REPRODUCE OR COPY IT	SHEET
III NOT TO REVEAL OR PUBLISH IT IN WHOLE OR PART	35 OF 54
IV ALL RIGHTS RESERVED	

WTR TRANSCEIVER (1 OF 2)

CONFIDENTIAL AND PROPRIETARY APPLE SYSTEM DESIGN. FOR REFERENCE PURPOSES ONLY - NOT A CHANGE REQUEST.

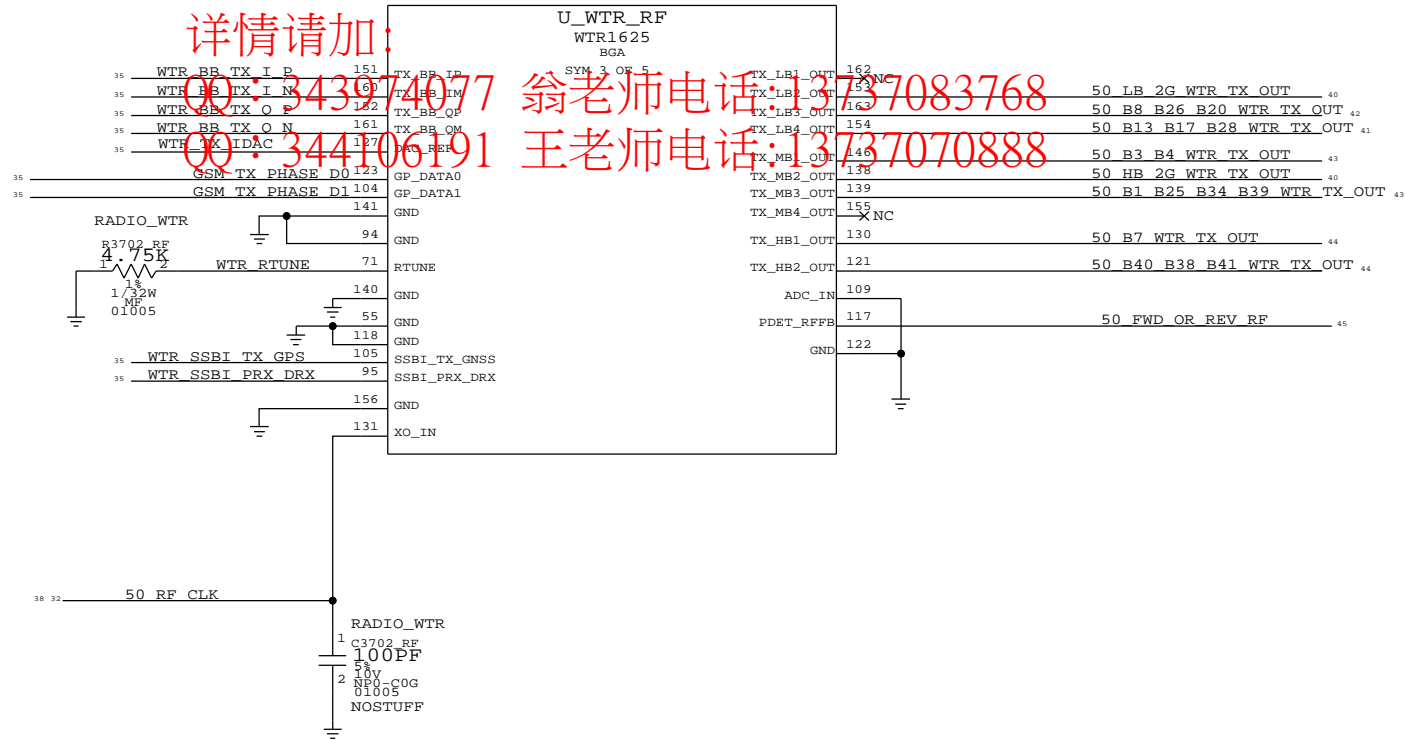
C802
R802
L800
U803



广西南宁功夫手机维修培训
修一切苹果 招天下学生
十年一线维修经验及教学经验

让学员们快速学会维修技术及原理分析
详情请加:

QQ: 343974077 翁老师电话: 13737083768
QQ: 344106191 王老师电话: 13737070888



RF_CLK IS SHARED BETWEEN WTR AND WFR. LENGTH DIFFERENCE BETWEEN THE TWO SHOULD BE < 5MM.

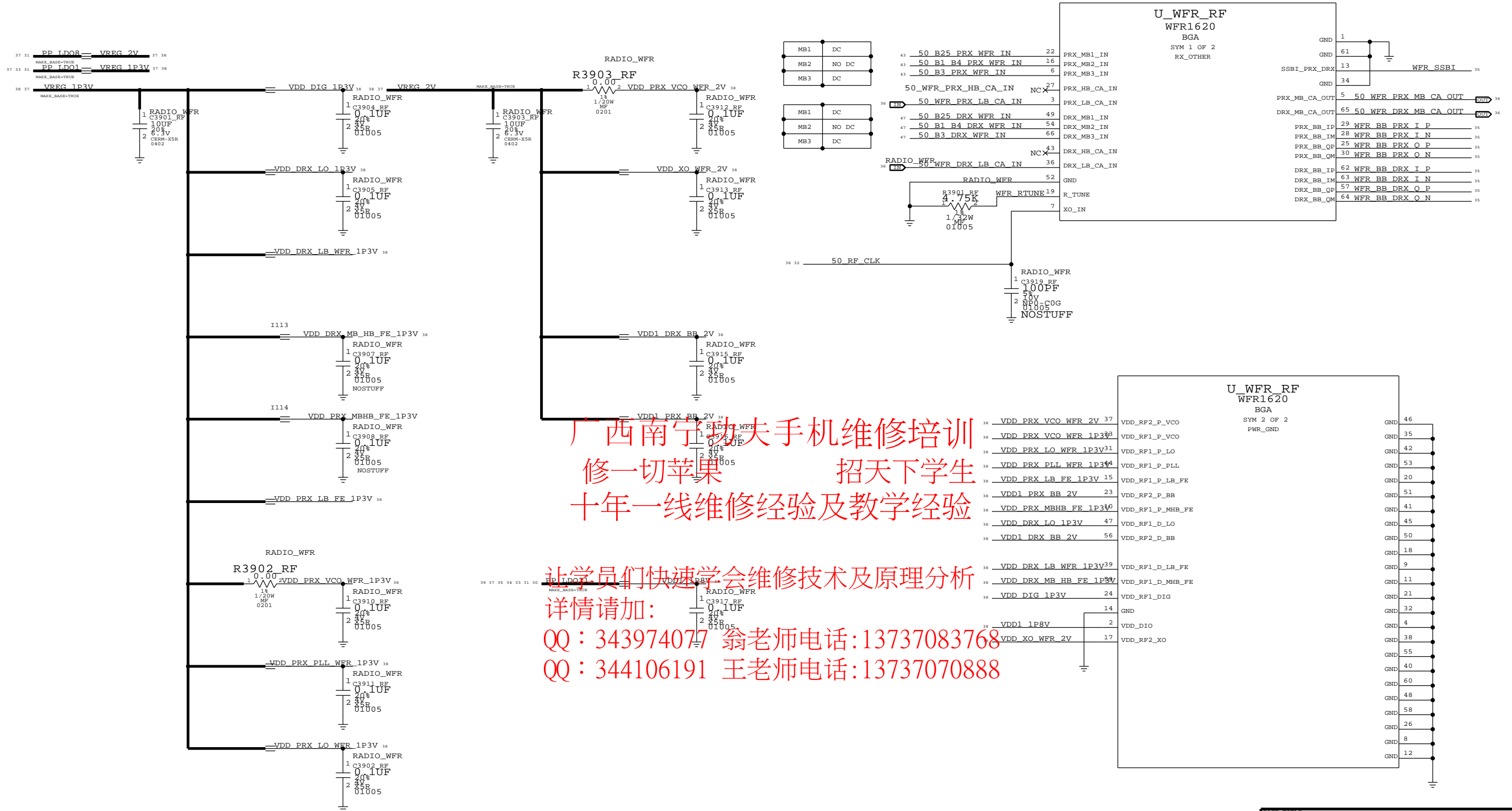
RF TRANSCEIVER (1 OF 3)

Apple Inc.	DRAWING NUMBER	051-9903 D
	REVISION	7.0.0
NOTICE OF PROPRIETARY PROPERTY:		BRANCH
THE INFORMATION CONTAINED HEREIN IS THE PROPRIETARY PROPERTY OF APPLE INC. THE POSSESSOR AGREES TO THE FOLLOWING:		PAGE
I TO MAINTAIN THIS DOCUMENT IN CONFIDENCE		37 OF 55
II NOT TO REPRODUCE OR COPY IT		SHEET
III NOT TO REVEAL OR PUBLISH IT IN WHOLE OR PART		36 OF 54
IV ALL RIGHTS RESERVED		

WFR TRANSCEIVER

CONFIDENTIAL AND PROPRIETARY APPLE SYSTEM DESIGN. FOR REFERENCE PURPOSES ONLY - NOT A CHANGE REQUEST.

C1019
R1016
L1000
U1002



广西南宁功夫手机维修培训
修一切苹果 招天下学生
十年一线维修经验及教学经验

让学员们快速学会维修技术及原理分析
详情请加:
QQ: 343974077 翁老师电话: 13737083768
QQ: 344106191 王老师电话: 13737070888

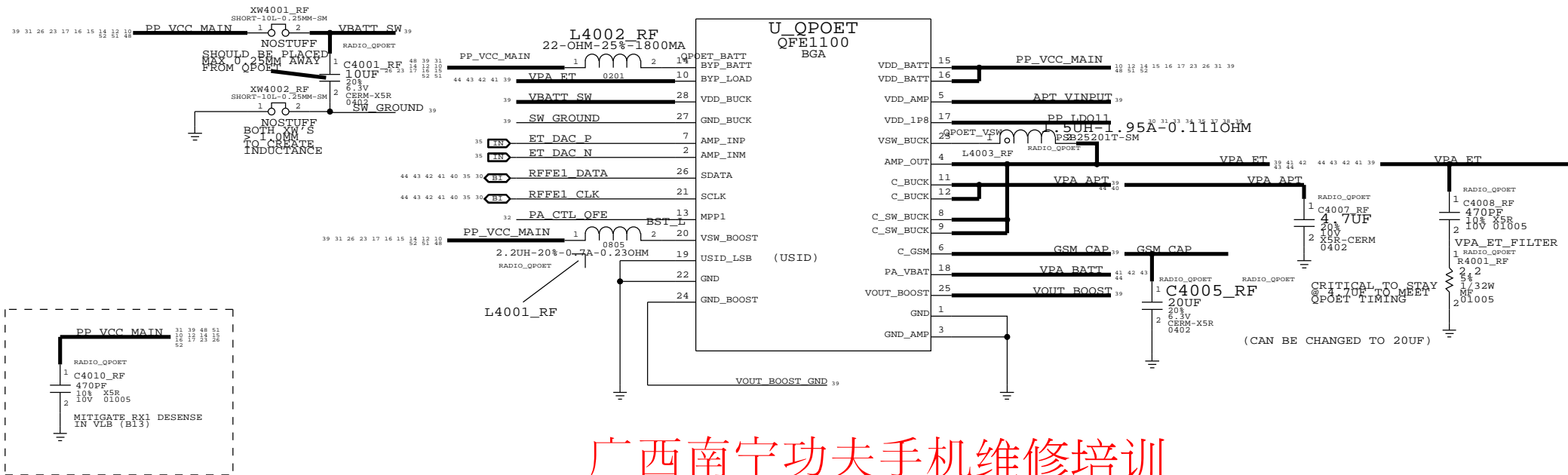
RF TRANSCEIVER (3 OF 3)

Apple Inc.	DRAWING NUMBER	051-9903
	REVISION	7.0.0
NOTICE OF PROPRIETARY PROPERTY: THE INFORMATION CONTAINED HEREIN IS THE PROPRIETARY PROPERTY OF APPLE INC. THE POSSESSOR AGREES TO THE FOLLOWING: I TO MAINTAIN THIS DOCUMENT IN CONFIDENCE II NOT TO REPRODUCE OR COPY IT III NOT TO REVEAL OR PUBLISH IT IN WHOLE OR PART IV ALL RIGHTS RESERVED	BRANCH	
	PAGE	39 OF 55
	SHEET	38 OF 54

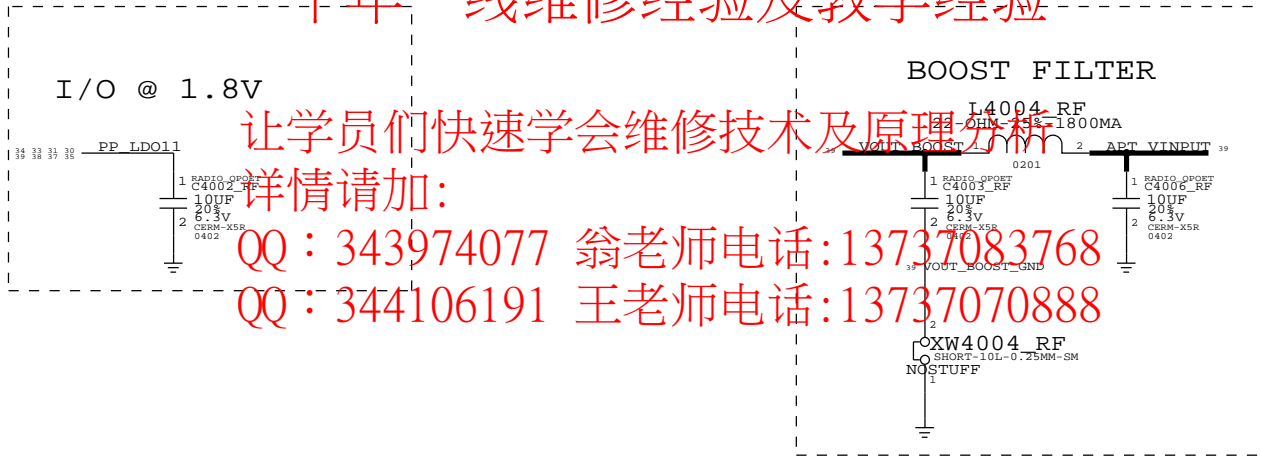
QFE DCDC

CONFIDENTIAL AND PROPRIETARY APPLE SYSTEM DESIGN. FOR REFERENCE PURPOSES ONLY - NOT A CHANGE REQUEST.

C1110
R1102
L1104
U1101



广西南宁功夫手机维修培训
修一切苹果 招天下学生
十年一线维修经验及教学经验



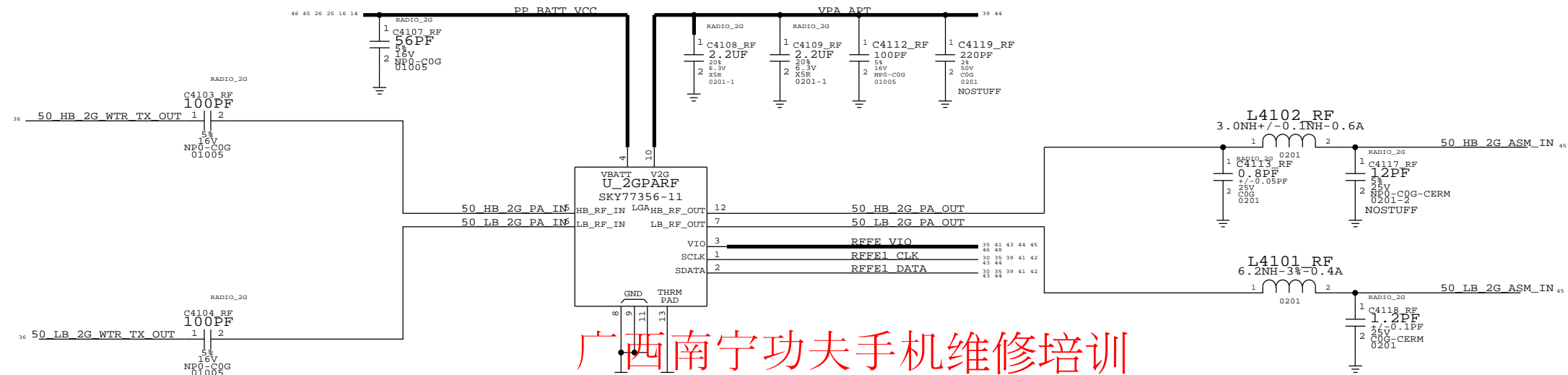
让学员们快速学会维修技术及原理分析
详情请加:
QQ: 343974077 翁老师电话: 13737083768
QQ: 344106191 王老师电话: 13737070888

PAGE TITLE QFE DCDC		DRAWING NUMBER 051-9903	SIZE D
Apple Inc.		REVISION 7.0.0	BRANCH
NOTICE OF PROPRIETARY PROPERTY: THE INFORMATION CONTAINED HEREIN IS THE PROPRIETARY PROPERTY OF APPLE INC. THE POSSESSOR AGREES TO THE FOLLOWING: I TO MAINTAIN THIS DOCUMENT IN CONFIDENCE II NOT TO REPRODUCE OR COPY IT III NOT TO REVEAL OR PUBLISH IT IN WHOLE OR PART IV ALL RIGHTS RESERVED		PAGE 40 OF 55	SHEET 39 OF 54

2G PA

CONFIDENTIAL AND PROPRIETARY APPLE SYSTEM DESIGN. FOR REFERENCE PURPOSES ONLY - NOT A CHANGE REQUEST.

C1208
R1200
L1204
U1201




广西南宁功夫手机维修培训
修一切苹果 招天下学生
十年一线维修经验及教学经验

让学员们快速学会维修技术及原理分析
详情请加:

QQ: 343974077 翁老师电话: 13737083768

QQ: 344106191 王老师电话: 13737070888

PAGE TITLE		2G PA	
 Apple Inc.	DRAWING NUMBER	051-9903	SIZE
	REVISION	7.0.0	D
NOTICE OF PROPRIETARY PROPERTY:		BRANCH	
THE INFORMATION CONTAINED HEREIN IS THE PROPRIETARY PROPERTY OF APPLE INC. THE POSSESSOR AGREES TO THE FOLLOWING:		PAGE	
I TO MAINTAIN THIS DOCUMENT IN CONFIDENCE		41 OF 55	
II NOT TO REPRODUCE OR COPY IT		SHEET	
III NOT TO REVEAL OR PUBLISH IT IN WHOLE OR PART		40 OF 54	
IV ALL RIGHTS RESERVED			

VERY LOW BAND PAD (B13, B17, B28)

CONFIDENTIAL AND PROPRIETARY APPLE SYSTEM DESIGN. FOR REFERENCE PURPOSES ONLY - NOT A CHANGE REQUEST.

C1332
R1300
L4215_RF
U1304

D

D

C

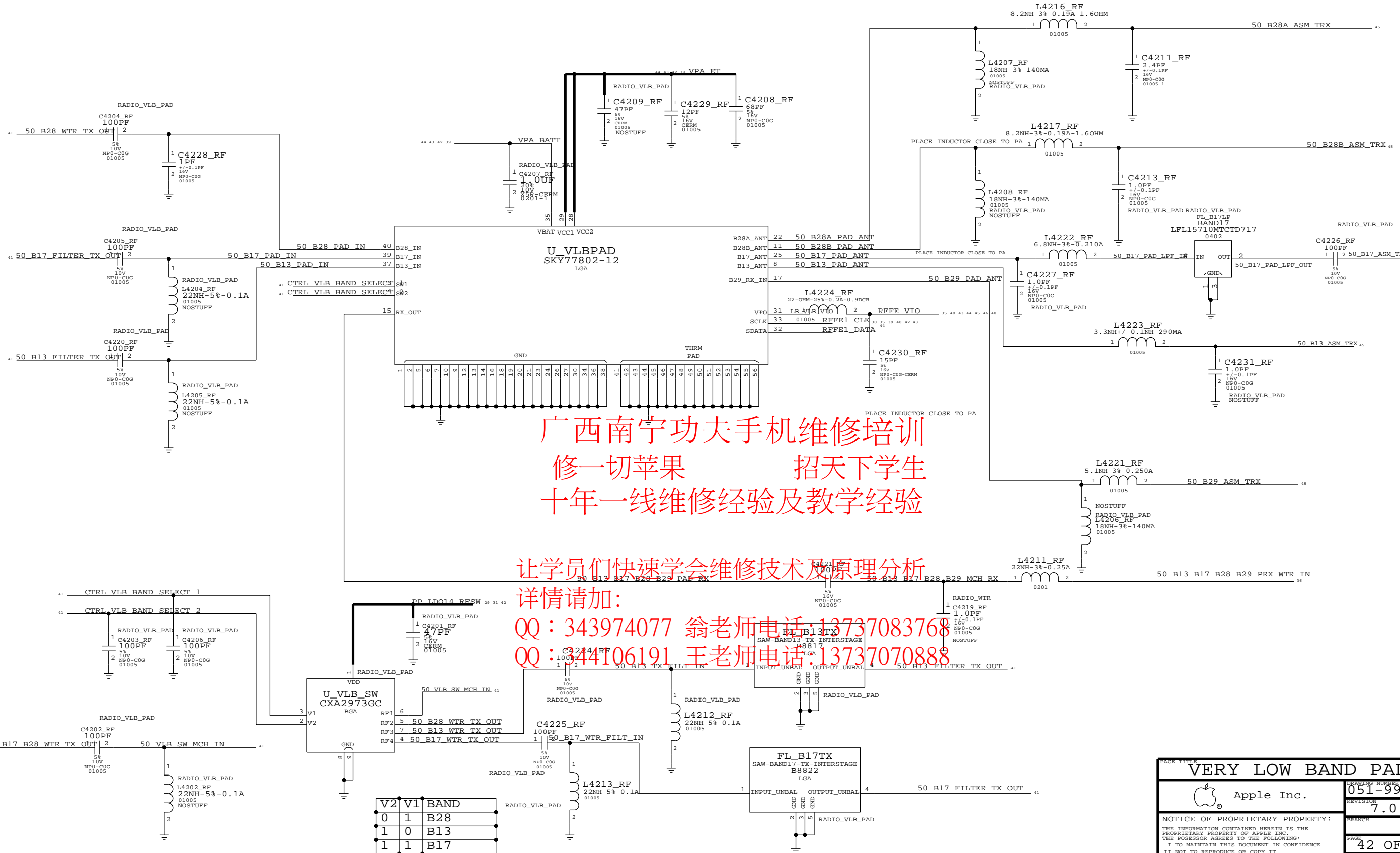
C

B

B

A

A



广西南宁功夫手机维修培训
修一切苹果 招天下学生
十年一线维修经验及教学经验

让学员们快速学会维修技术及原理分析
详情请加：
QQ：343974077 翁老师电话：13737083768
QQ：344106191 王老师电话：13737070888

V2	V1	BAND
0	1	B28
1	0	B13
1	1	B17

Apple Inc.		DRAWING NUMBER 051-9903 D
NOTICE OF PROPRIETARY PROPERTY: THE INFORMATION CONTAINED HEREIN IS THE PROPRIETARY PROPERTY OF APPLE INC. THE POSSESSOR AGREES TO THE FOLLOWING: I TO MAINTAIN THIS DOCUMENT IN CONFIDENCE II NOT TO REPRODUCE OR COPY IT III NOT TO REVEAL OR PUBLISH IT IN WHOLE OR PART IV ALL RIGHTS RESERVED		REVISION 7.0.0
		PAGE 42 OF 55
		SHEET 41 OF 54

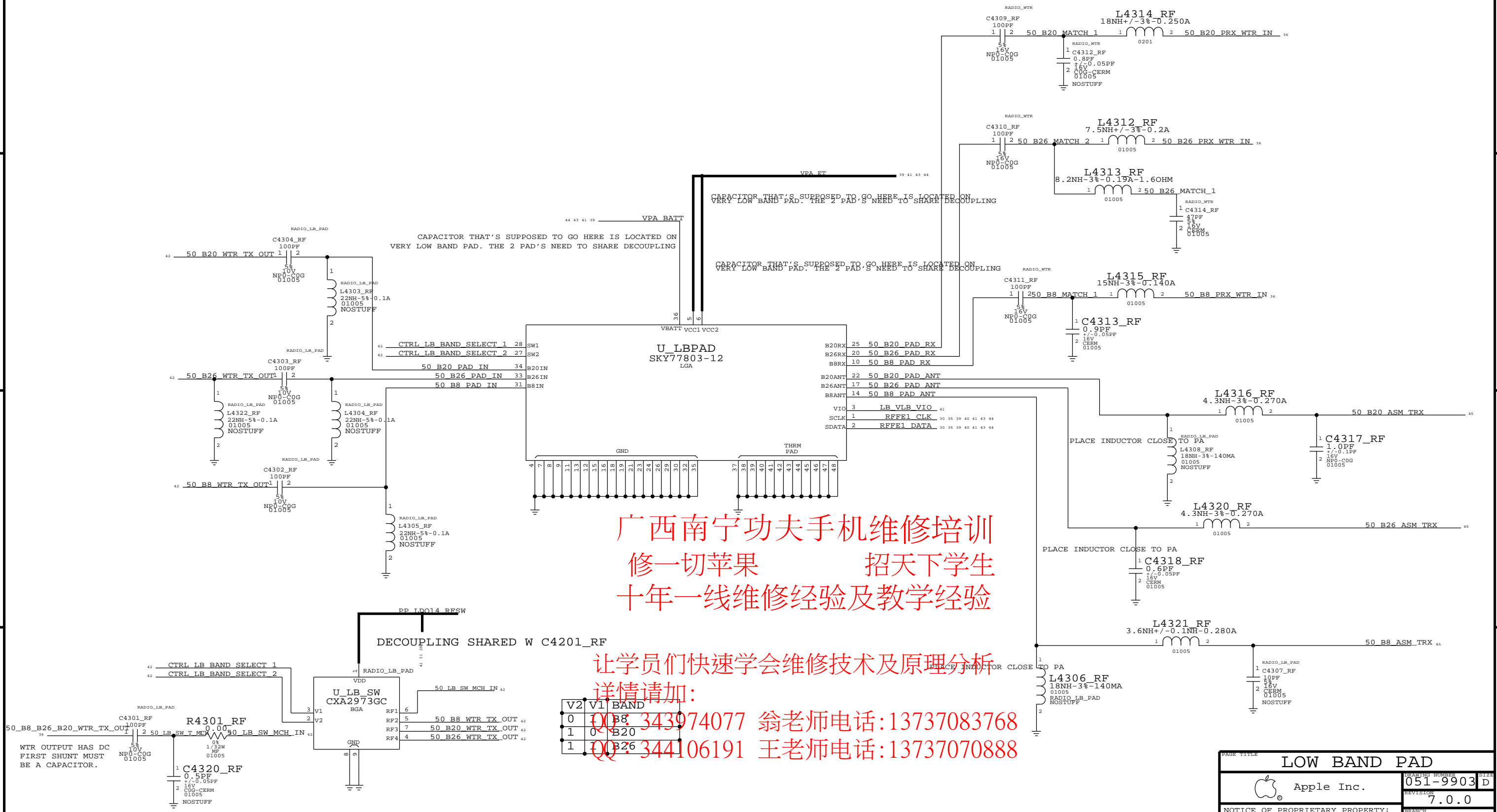
LOW BAND PAD (B8, B26, B20)

CONFIDENTIAL AND PROPRIETARY APPLE SYSTEM DESIGN. FOR REFERENCE PURPOSES ONLY - NOT A CHANGE REQUEST.

C4318_RF
R1400
L4322_RF
U1402

D
C
B
A

D
C
B
A



广西南宁功夫手机维修培训
修一切苹果 招天下学生
十年一线维修经验及教学经验

让学员们快速学会维修技术及原理分析
详情请加:
QQ: 343974077 翁老师电话: 13737083768
QQ: 344106191 王老师电话: 13737070888

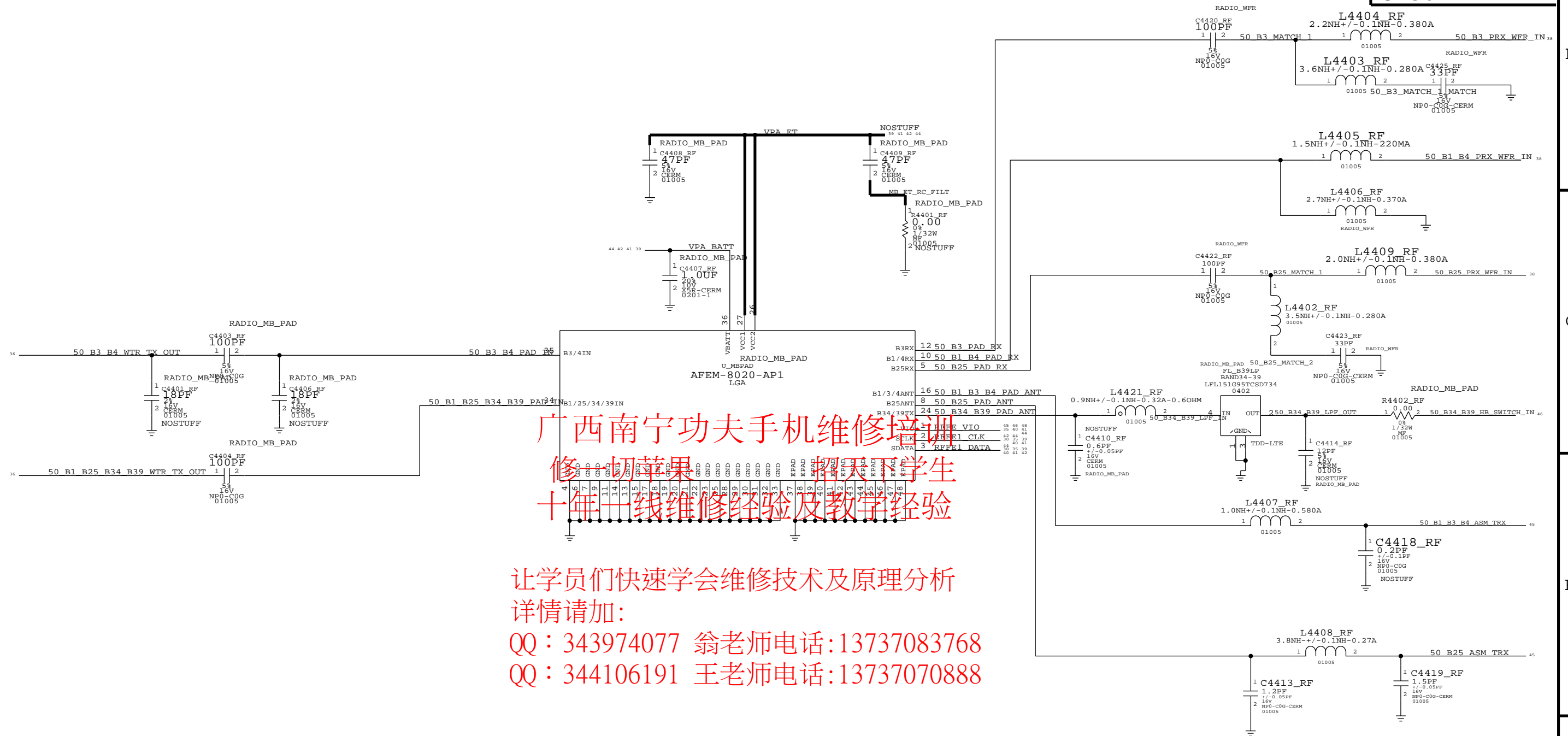
V2	V1	BAND
0	0	B8
1	0	B20
1	1	B26

PAGE TITLE		LOW BAND PAD	
Apple Inc.		DRAWING NUMBER	051-99903 D
		REVISION	7.0.0
NOTICE OF PROPRIETARY PROPERTY:		BRANCH	
THE INFORMATION CONTAINED HEREIN IS THE PROPRIETARY PROPERTY OF APPLE INC. THE POSSESSOR AGREES TO THE FOLLOWING:		PAGE	43 OF 55
I TO MAINTAIN THIS DOCUMENT IN CONFIDENCE		SHEET	42 OF 54
II NOT TO REPRODUCE OR COPY IT			
III NOT TO REVEAL OR PUBLISH IT IN WHOLE OR PART			
IV ALL RIGHTS RESERVED			

MID BAND PAD (B1, B25, B3, B4, B34, B39)

CONFIDENTIAL AND PROPRIETARY APPLE SYSTEM DESIGN. FOR REFERENCE PURPOSES ONLY - NOT A CHANGE REQUEST.

C4426_RF
R1500
L4409_RF
U1501



广西南宁功夫手机维修培训
修一切苹果手机
十年一线维修经验及教学经验

让学员们快速学会维修技术及原理分析
详情请加：

QQ : 343974077 翁老师电话:13737083768

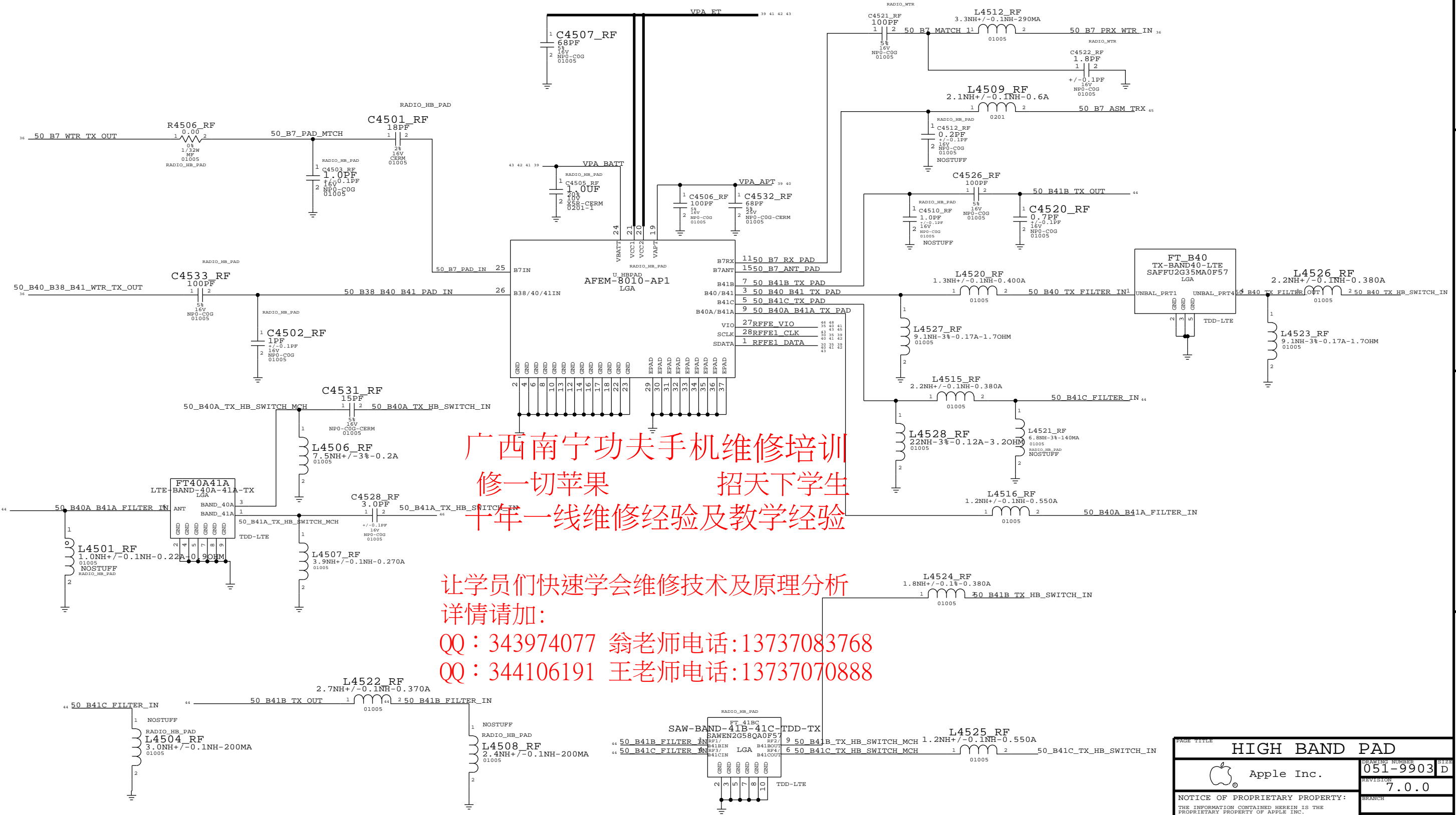
QQ : 344106191 王老师电话:13737070888

PAGE TITLE		MID BAND PAD	
Apple Inc.		DRAWING NUMBER	051-9903 D
		REVISION	7.0.0
NOTICE OF PROPRIETARY PROPERTY:		BRANCH	
THE INFORMATION CONTAINED HEREIN IS THE PROPRIETARY PROPERTY OF APPLE INC. THE POSSESSOR AGREES TO THE FOLLOWING:		PAGE	44 OF 55
I TO MAINTAIN THIS DOCUMENT IN CONFIDENCE		SHEET	43 OF 54
II NOT TO REPRODUCE OR COPY IT			
III NOT TO REVEAL OR PUBLISH IT IN WHOLE OR PART			
IV ALL RIGHTS RESERVED			

HIGH BAND PAD (B7, B38, B40, B41, XGP)

CONFIDENTIAL AND PROPRIETARY APPLE SYSTEM DESIGN. FOR REFERENCE PURPOSES ONLY - NOT A CHANGE REQUEST.

C4533_RF
R1600
L1616
U1601



广西南宁功夫手机维修培训
修一切苹果 招天下学生
十年一线维修经验及教学经验

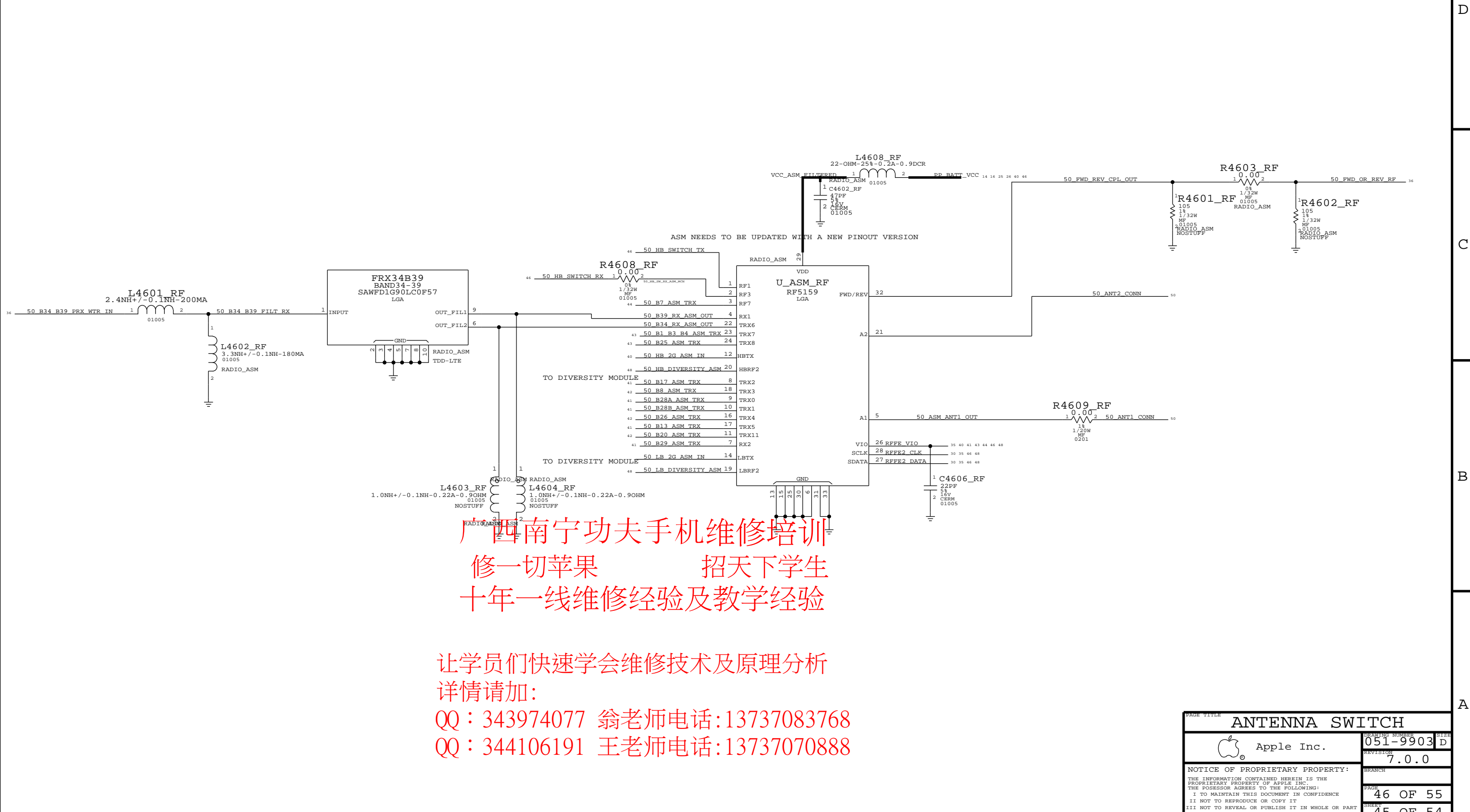
让学员们快速学会维修技术及原理分析
详情请加：
QQ：343974077 翁老师电话：13737083768
QQ：344106191 王老师电话：13737070888

DRAWING TITLE	
HIGH BAND PAD	
Apple Inc.	DRAWING NUMBER 051-9903
REVISION 7.0.0	SIZE
NOTICE OF PROPRIETARY PROPERTY:	BRANCH
THE INFORMATION CONTAINED HEREIN IS THE PROPRIETARY PROPERTY OF APPLE INC. THE POSSESSOR AGREES TO THE FOLLOWING:	PAGE 45 OF 55
I TO MAINTAIN THIS DOCUMENT IN CONFIDENCE	SHEET 44 OF 54
II NOT TO REPRODUCE OR COPY IT	
III NOT TO REVEAL OR PUBLISH IT IN WHOLE OR PART	
IV ALL RIGHTS RESERVED	

ANTENNA SWITCH

CONFIDENTIAL AND PROPRIETARY APPLE SYSTEM DESIGN. FOR REFERENCE PURPOSES ONLY - NOT A CHANGE REQUEST.

C1702
R1700
L4608_RF
U1702



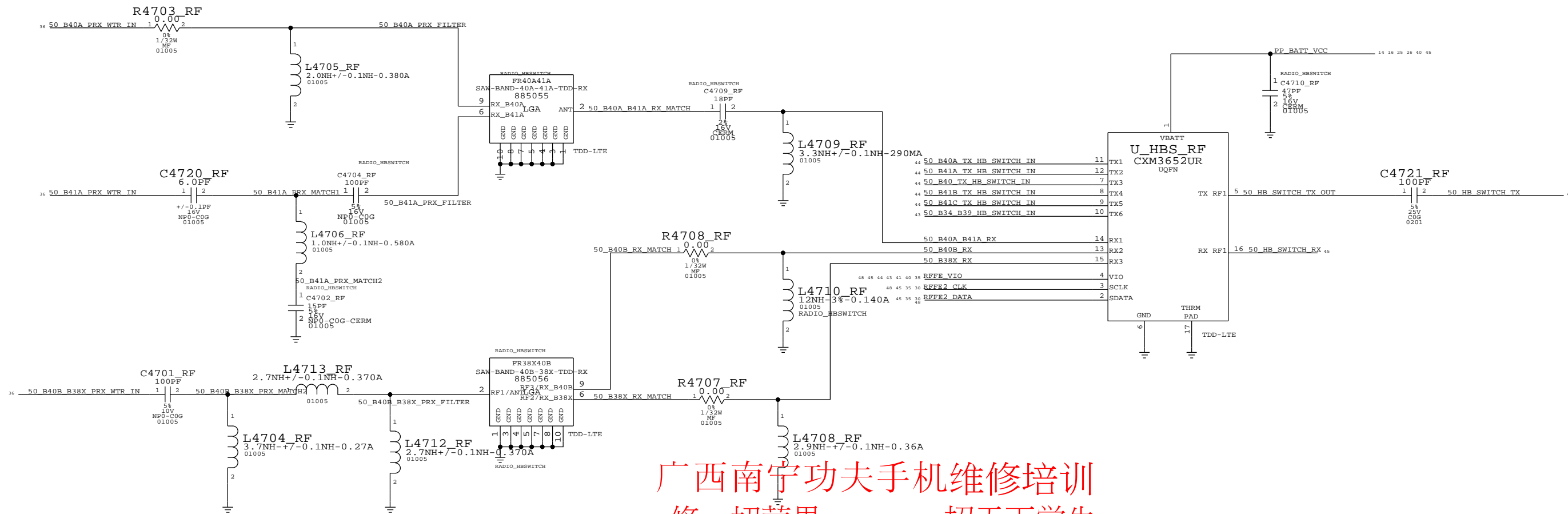
广西南宁功夫手机维修培训
修一切苹果 招天下学生
十年一线维修经验及教学经验

让学员们快速学会维修技术及原理分析
详情请加：
QQ：343974077 翁老师电话：13737083768
QQ：344106191 王老师电话：13737070888

PAGE TITLE		ANTENNA SWITCH	
Apple Inc.	DRAWING NUMBER	051-9903	SIZE
	REVISION	7.0.0	
NOTICE OF PROPRIETARY PROPERTY:		BRANCH	
THE INFORMATION CONTAINED HEREIN IS THE PROPRIETARY PROPERTY OF APPLE INC. THE POSSESSOR AGREES TO THE FOLLOWING:		PAGE	
I TO MAINTAIN THIS DOCUMENT IN CONFIDENCE		46 OF 55	
II NOT TO REPRODUCE OR COPY IT		SHEET	
III NOT TO REVEAL OR PUBLISH IT IN WHOLE OR PART		45 OF 54	
IV ALL RIGHTS RESERVED			

HIGH BAND SWITCH

CONFIDENTIAL AND PROPRIETARY APPLE SYSTEM DESIGN. FOR REFERENCE PURPOSES ONLY - NOT A CHANGE REQUEST.



广西南宁功夫手机维修培训
修一切苹果 招天下学生
十年一线维修经验及教学经验

让学员们快速学会维修技术及原理分析
详情请加：

QQ：343974077 翁老师电话：13737083768

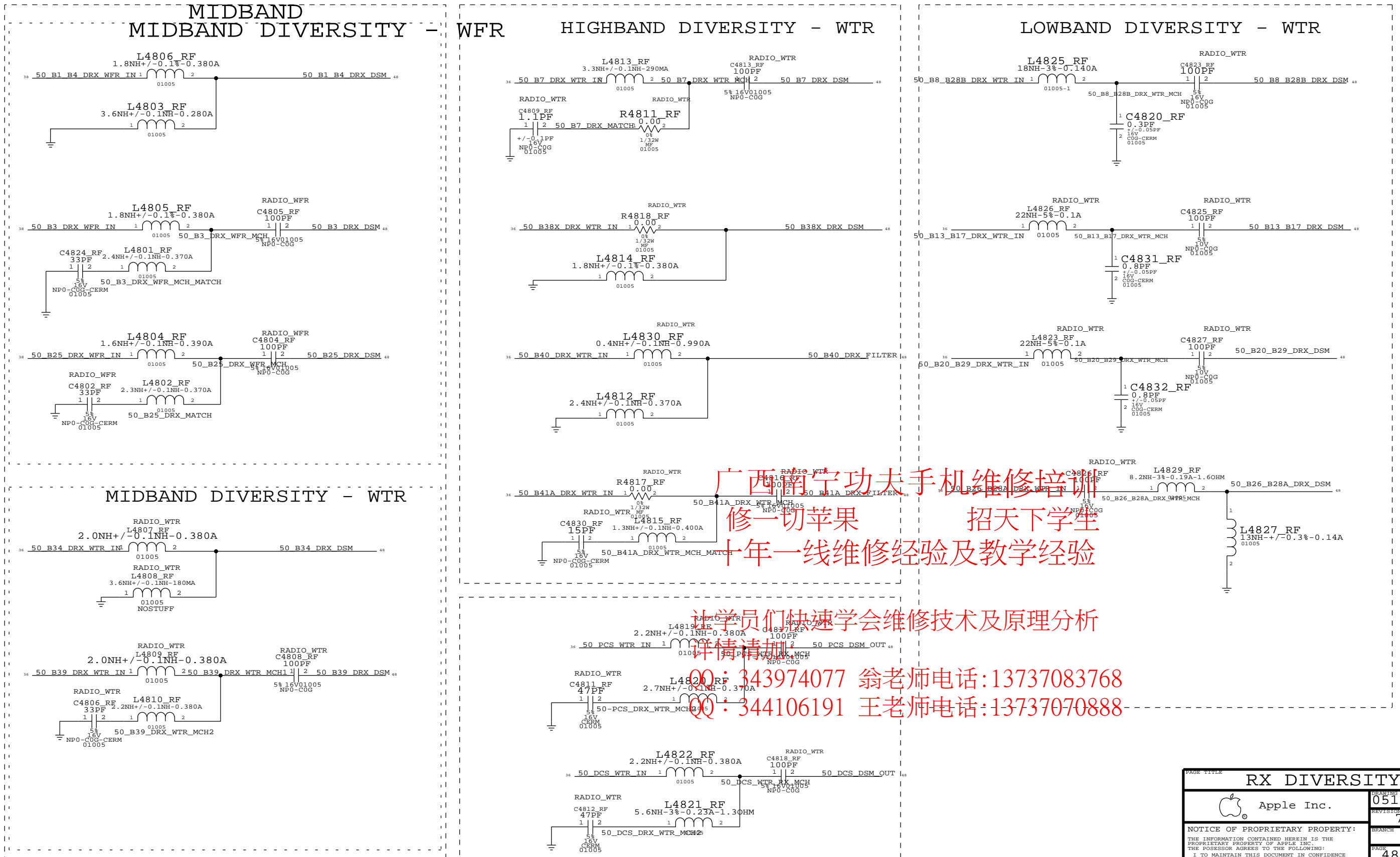
QQ：344106191 王老师电话：13737070888

PAGE TITLE HIGH BAND SWITCH		
Apple Inc.	DRAWING NUMBER	051-9903
	REVISION	7.0.0
NOTICE OF PROPRIETARY PROPERTY:		
THE INFORMATION CONTAINED HEREIN IS THE PROPRIETARY PROPERTY OF APPLE INC. THE POSSESSOR AGREES TO THE FOLLOWING:		
I TO MAINTAIN THIS DOCUMENT IN CONFIDENCE		PAGE 47 OF 55
II NOT TO REPRODUCE OR COPY IT		SHEET 46 OF 54
III NOT TO REVEAL OR PUBLISH IT IN WHOLE OR PART IV ALL RIGHTS RESERVED		

RX DIVERSITY (1)

CONFIDENTIAL AND PROPRIETARY APPLE SYSTEM DESIGN. FOR REFERENCE PURPOSES ONLY - NOT A CHANGE REQUEST.

C4826_RF
R1800
L1829
U1801



广西南宁功夫手机维修培训
修一切苹果 招天下学生
十年一线维修经验及教学经验

让学员们快速学会维修技术及原理分析

详情请加

QQ: 343974077 翁老师电话: 13737083768

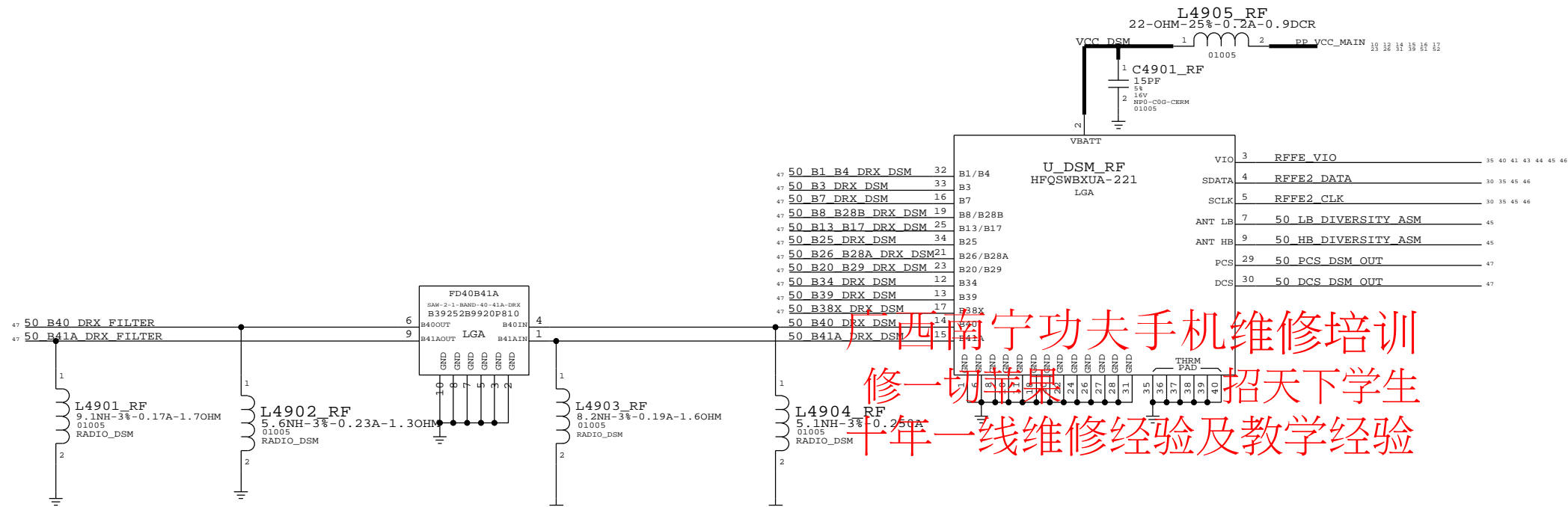
QQ: 344106191 王老师电话: 13737070888

PAGE TITLE		RX DIVERSITY	
DRAWING NUMBER		051-9903	SIZE D
REVISION		7.0.0	
NOTICE OF PROPRIETARY PROPERTY:		BRANCH	
THE INFORMATION CONTAINED HEREIN IS THE PROPRIETARY PROPERTY OF APPLE INC. THE POSSESSOR AGREES TO THE FOLLOWING:		PAGE	
I TO MAINTAIN THIS DOCUMENT IN CONFIDENCE		48 OF 55	
II NOT TO REPRODUCE OR COPY IT		SHEET	
III NOT TO REVEAL OR PUBLISH IT IN WHOLE OR PART		47 OF 54	
IV ALL RIGHTS RESERVED			

RX DIVERSITY (2)

CONFIDENTIAL AND PROPRIETARY APPLE SYSTEM DESIGN. FOR REFERENCE PURPOSES ONLY - NOT A CHANGE REQUEST.

C1900
R1900
L1900
U1901



西南宁功夫手机维修培训
修一切苹果
十年一线维修经验及教学经验
招天下学生

让学员们快速学会维修技术及原理分析
详情请加：
QQ：343974077 翁老师电话：13737083768
QQ：344106191 王老师电话：13737070888

PAGE TITLE		GPS	
Apple Inc.	DRAWING NUMBER	051-9903	SIZE
	REVISION	7.0.0	D
NOTICE OF PROPRIETARY PROPERTY:		BRANCH	
THE INFORMATION CONTAINED HEREIN IS THE PROPRIETARY PROPERTY OF APPLE INC. THE POSSESSOR AGREES TO THE FOLLOWING:		PAGE	
I TO MAINTAIN THIS DOCUMENT IN CONFIDENCE		49 OF 55	
II NOT TO REPRODUCE OR COPY IT		SHEET	
III NOT TO REVEAL OR PUBLISH IT IN WHOLE OR PART		48 OF 54	
IV ALL RIGHTS RESERVED			

GPS

CONFIDENTIAL AND PROPRIETARY APPLE SYSTEM DESIGN. FOR REFERENCE PURPOSES ONLY - NOT A CHANGE REQUEST.

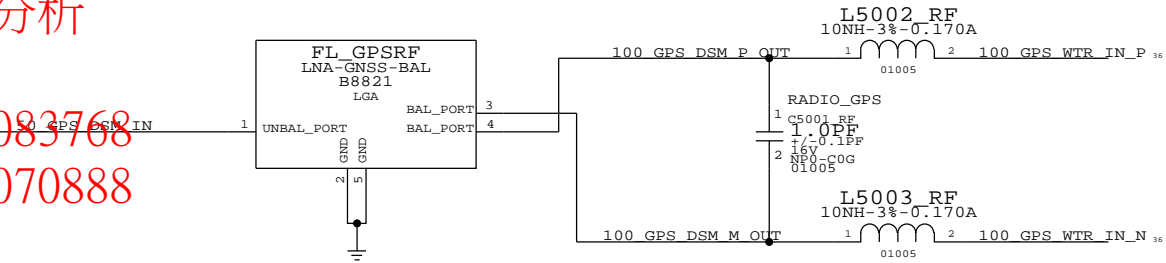
C1900
R1900
L1900
U1901


广西南宁功夫手机维修培训
修一切苹果 招天下学生
十年一线维修经验及教学经验

让学员们快速学会维修技术及原理分析
详情请加：

QQ：343974077 翁老师电话：13737083768

QQ：344106191 王老师电话：13737070888

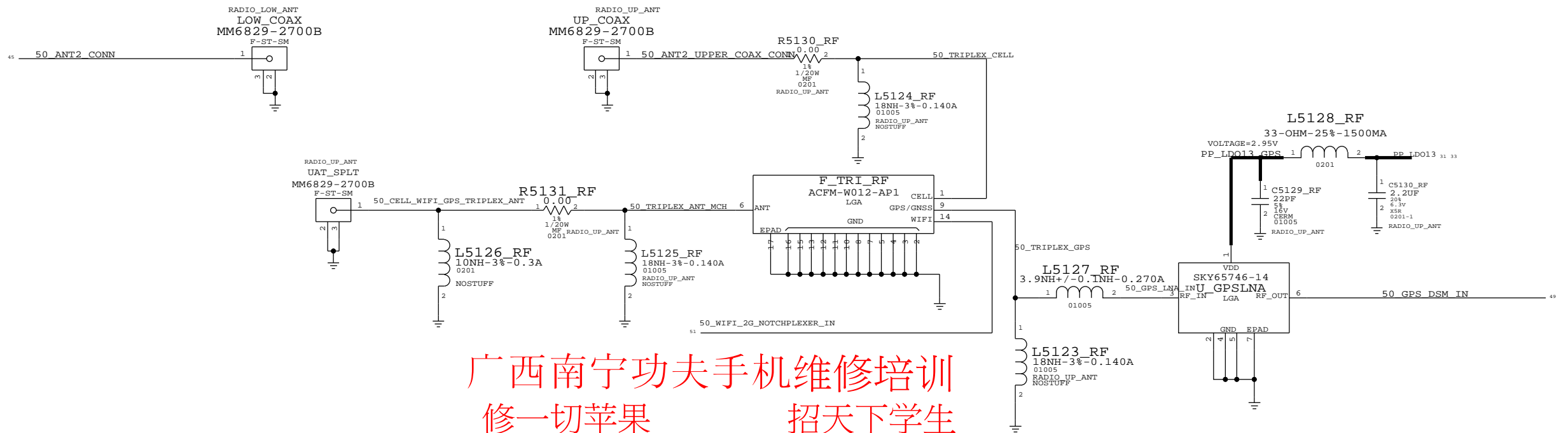


PAGE TITLE	
GPS	
 Apple Inc.	DRAWING NUMBER 051-9903 D
	REVISION 7.0.0
NOTICE OF PROPRIETARY PROPERTY: THE INFORMATION CONTAINED HEREIN IS THE PROPRIETARY PROPERTY OF APPLE INC. THE POSSESSOR AGREES TO THE FOLLOWING: I TO MAINTAIN THIS DOCUMENT IN CONFIDENCE II NOT TO REPRODUCE OR COPY IT III NOT TO REVEAL OR PUBLISH IT IN WHOLE OR PART IV ALL RIGHTS RESERVED	BRANCH PAGE 50 OF 55 SHEET 49 OF 54

ANTENNA FEED'S

CONFIDENTIAL AND PROPRIETARY APPLE SYSTEM DESIGN. FOR REFERENCE PURPOSES ONLY - NOT A CHANGE REQUEST.

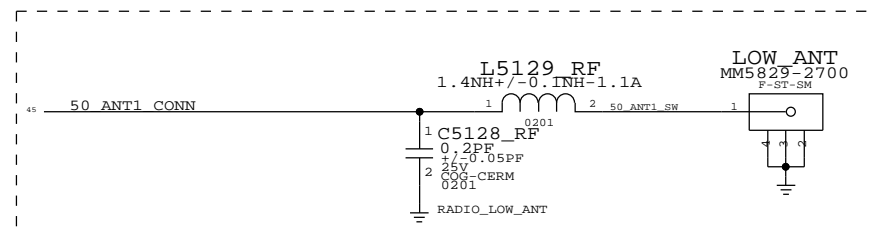
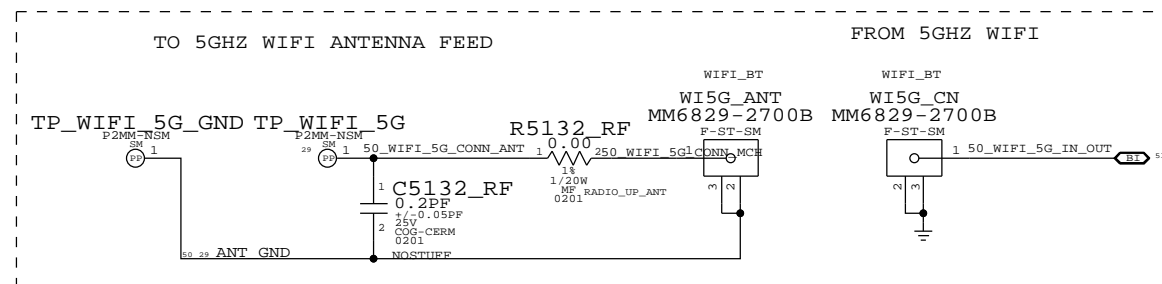
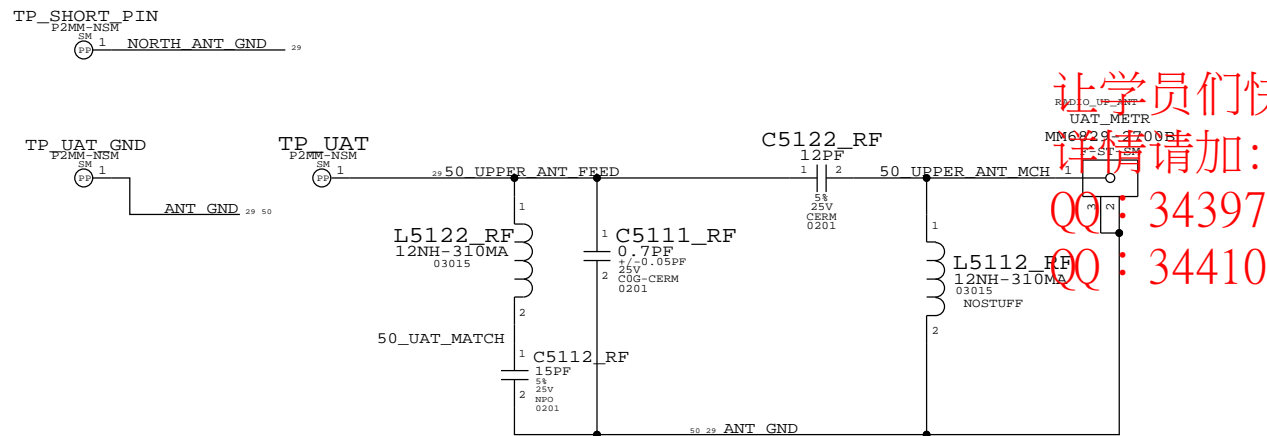
TEST & COAX CONNECTOR FOR LOWER SECTION OF MLB



广西南宁功夫手机维修培训
修一切苹果 招天下学生
十年一线维修经验及教学经验

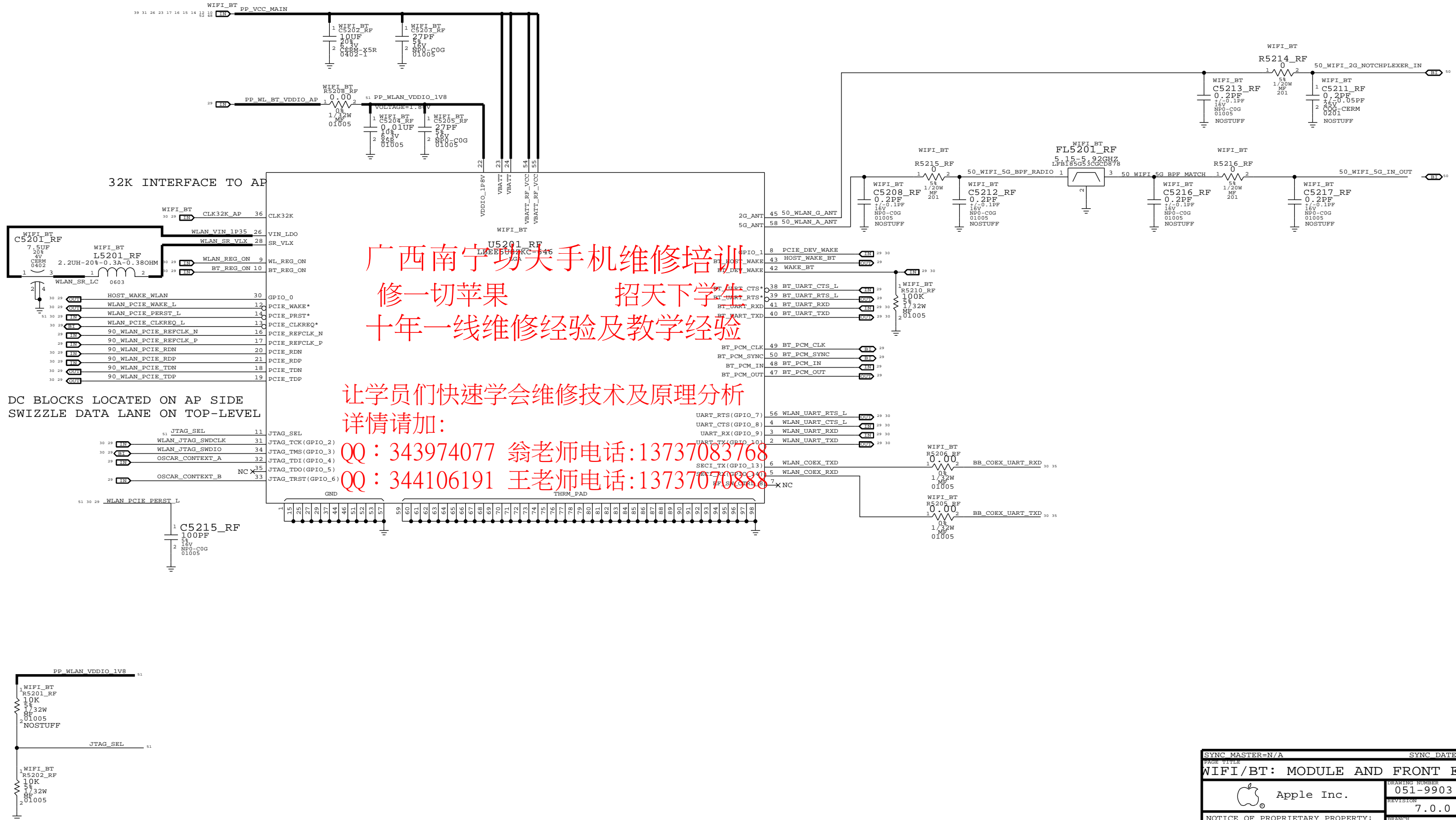
让学员们快速学会维修技术及原理分析
详情请加:

QQ: 343974077 翁老师电话: 13737083768
QQ: 344106191 王老师电话: 13737070888



PAGE TITLE		DRAWING NUMBER	SIZE
ANTENNA FEEDS		051-9903	D
Apple Inc.		REVISION	7.0.0
NOTICE OF PROPRIETARY PROPERTY:		BRANCH	
THE INFORMATION CONTAINED HEREIN IS THE PROPRIETARY PROPERTY OF APPLE INC. THE POSSESSOR AGREES TO THE FOLLOWING:		PAGE	51 OF 55
I TO MAINTAIN THIS DOCUMENT IN CONFIDENCE		SHEET	50 OF 54
II NOT TO REPRODUCE OR COPY IT			
III NOT TO REVEAL OR PUBLISH IT IN WHOLE OR PART			
IV ALL RIGHTS RESERVED			

WLAN / BT



广西南宁功夫手机维修培训
 修一切苹果 招天下学生
 十年一线维修经验及教学经验

让学员们快速学会维修技术及原理分析
 详情请加:
 QQ: 343974077 翁老师电话: 13737083768
 QQ: 344106191 王老师电话: 13737070888

MODULE BOOT-STRAPPED TO PCIE INTERNALLY

CONFIDENTIAL AND PROPRIETARY APPLE SYSTEM DESIGN. FOR REFERENCE PURPOSE ONLY - NOT A CHANGE REQUEST

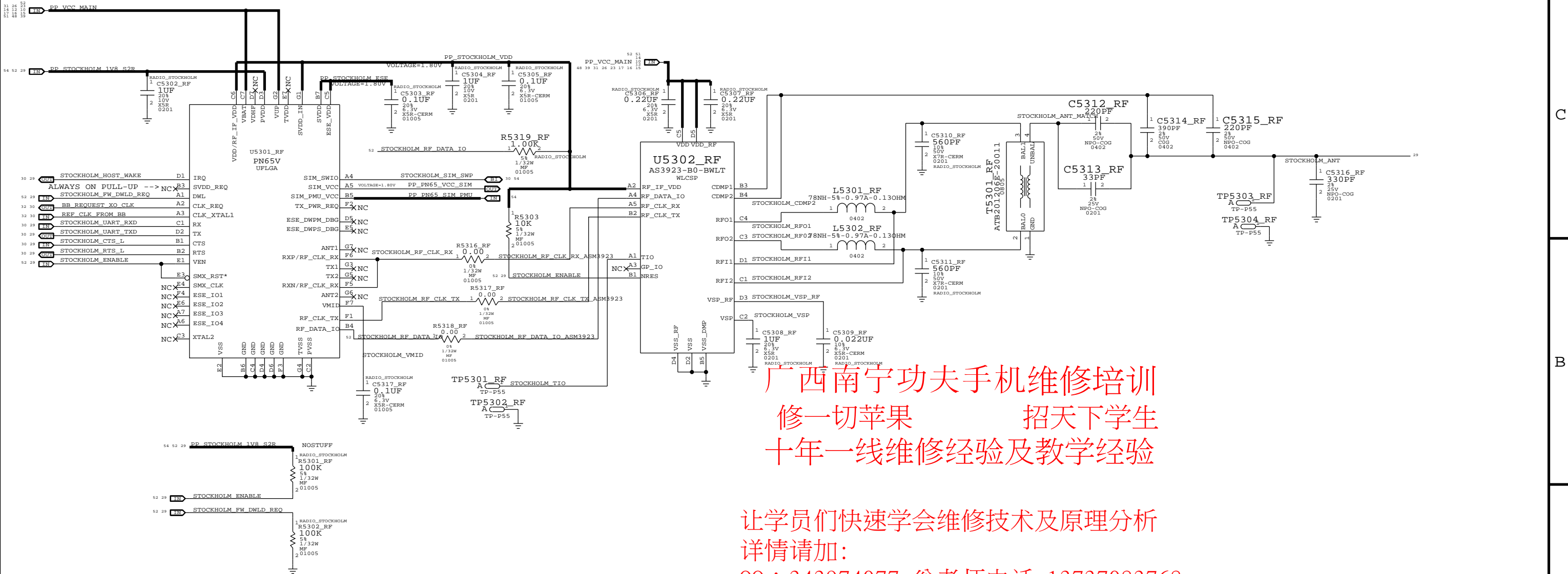
SYNC MASTER=N/A		SYNC DATE=N/A	
PAGE TITLE WIFI/BT: MODULE AND FRONT END			
Apple Inc.	DRAWING NUMBER	051-9903	SIZE D
	REVISION	7.0.0	BRANCH
NOTICE OF PROPRIETARY PROPERTY: THE INFORMATION CONTAINED HEREIN IS THE PROPRIETARY PROPERTY OF APPLE INC. THE POSSESSOR AGREES TO THE FOLLOWING: I TO MAINTAIN THIS DOCUMENT IN CONFIDENCE II NOT TO REPRODUCE OR COPY IT III NOT TO REVEAL OR PUBLISH IT IN WHOLE OR PART IV ALL RIGHTS RESERVED		PAGE	52 OF 55
		SHEET	51 OF 54

STOCKHOLM

CONFIDENTIAL AND PROPRIETARY APPLE SYSTEM DESIGN. FOR REFERENCE PURPOSES ONLY - NOT A CHANGE REQUEST.

C2101
R2100
L2102
U2100

REMOVING BULK CAP 4.7UF 0402 -->
BECAUSE OF OTHER BULK CAPS IN LAYOUT



广西南宁功夫手机维修培训
修一切苹果 招天下学生
十年一线维修经验及教学经验

让学员们快速学会维修技术及原理分析
详情请加：
QQ：343974077 翁老师电话：13737083768
QQ：344106191 王老师电话：13737070888

SYNC MASTER=N/A		SYNC DATE=N/A	
PAGE TITLE		DRAWING NUMBER	
Apple Inc.		051-9903 D	
NOTICE OF PROPRIETARY PROPERTY:		REVISION	
THE INFORMATION CONTAINED HEREIN IS THE PROPRIETARY PROPERTY OF APPLE INC. THE POSSESSOR AGREES TO THE FOLLOWING:		7.0.0	
I TO MAINTAIN THIS DOCUMENT IN CONFIDENCE		BRANCH	
II NOT TO REPRODUCE OR COPY IT		PAGE	
III NOT TO REVEAL OR PUBLISH IT IN WHOLE OR PART		53 OF 55	
IV ALL RIGHTS RESERVED		SHEET	
		52 OF 54	

ON-BOARD JUMPER FLEX

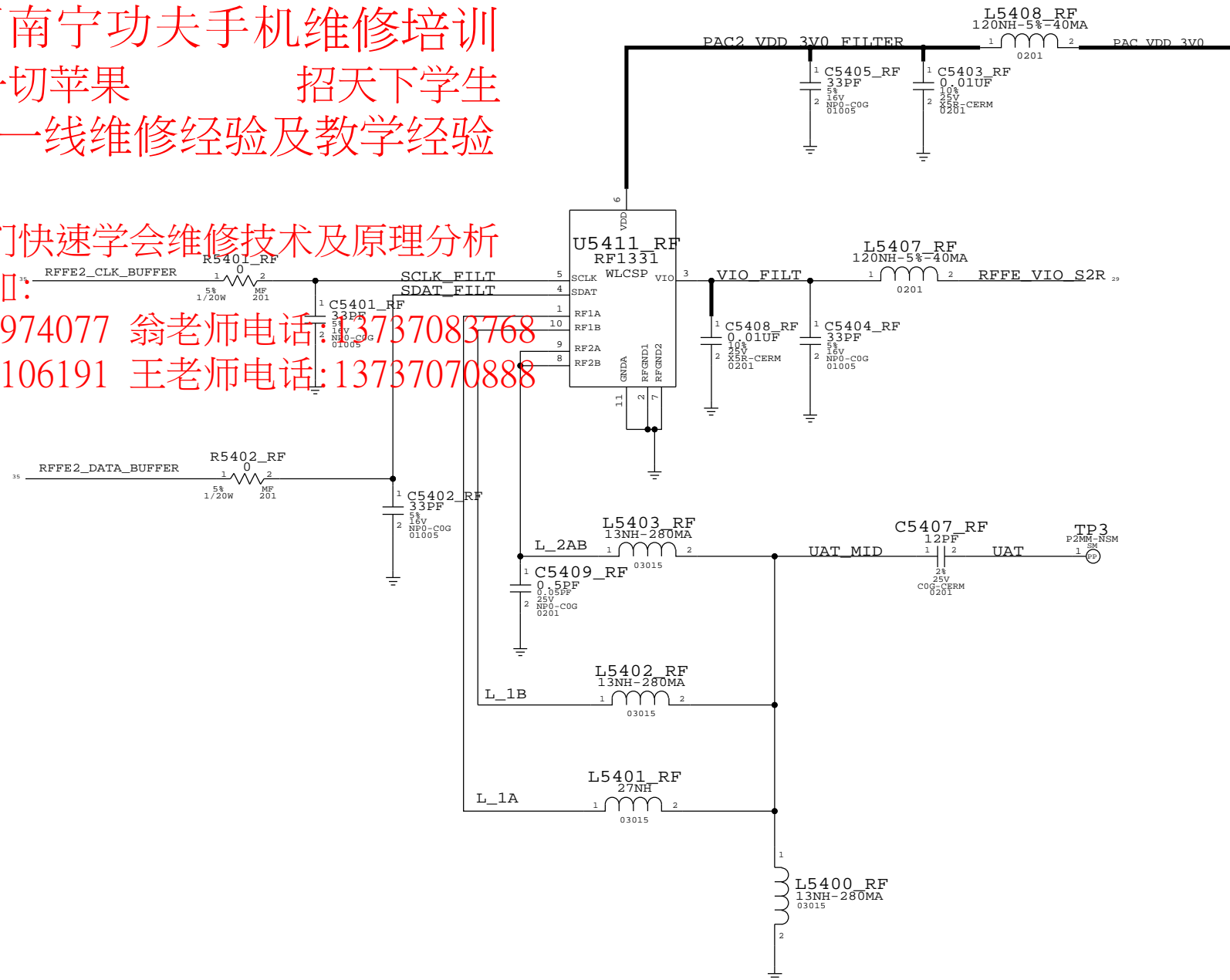
UAT JUMPER


广西南宁功夫手机维修培训
修一切苹果 招天下学生
十年一线维修经验及教学经验

让学员们快速学会维修技术及原理分析
详情请加：

QQ：343974077 翁老师电话：13737083768

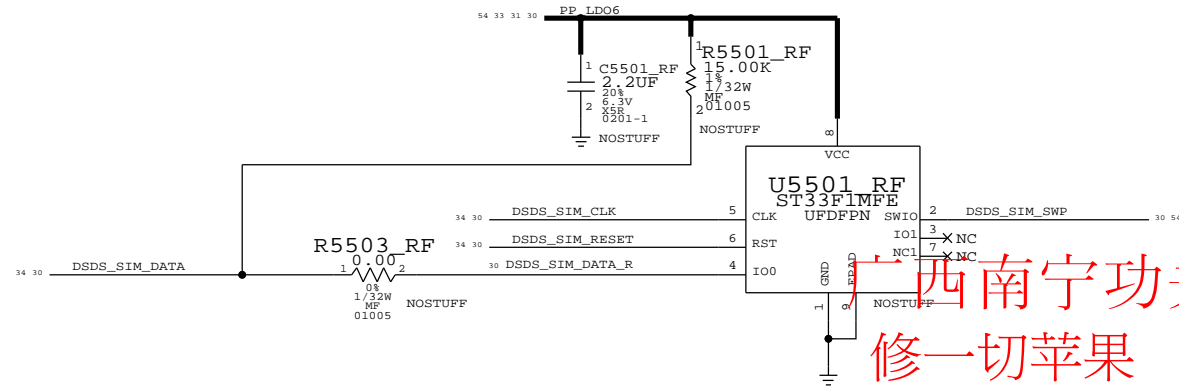
QQ：344106191 王老师电话：13737070888



PAGE TITLE		
JUMPER		
 Apple Inc.	DRAWING NUMBER	SIZE
	051-9903	D
	REVISION	
	7.0.0	
NOTICE OF PROPRIETARY PROPERTY:		
THE INFORMATION CONTAINED HEREIN IS THE PROPRIETARY PROPERTY OF APPLE, INC. THE POSSESSOR AGREES TO THE FOLLOWING:		
I TO MAINTAIN THIS DOCUMENT IN CONFIDENCE	BRANCH	
II NOT TO REPRODUCE OR COPY IT	PAGE	54 OF 55
III NOT TO REVEAL OR PUBLISH IT IN WHOLE OR PART	SHEET	53 OF 54
IV ALL RIGHTS RESERVED		

DSDS

CONFIDENTIAL AND PROPRIETARY APPLE SYSTEM DESIGN. FOR REFERENCE PURPOSES ONLY - NOT A CHANGE REQUEST.

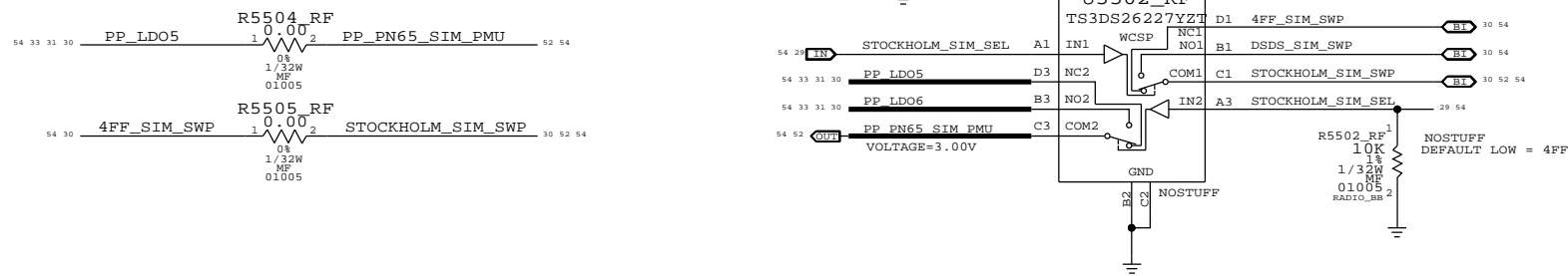



广西南宁功夫手机维修培训
修一切苹果 招天下学生
十年一线维修经验及教学经验

让学员们快速学会维修技术及原理分析
详情请加:

QQ: 343974077 翁老师电话: 13737083768

QQ: 344106191 王老师电话: 13737070888



PAGE TITLE		
JUMPER		
 Apple Inc.	DRAWING NUMBER 051-9903	SIZE D
REVISION 7.0.0		
NOTICE OF PROPRIETARY PROPERTY: THE INFORMATION CONTAINED HEREIN IS THE PROPRIETARY PROPERTY OF APPLE, INC. THE POSSESSOR AGREES TO THE FOLLOWING: I TO MAINTAIN THIS DOCUMENT IN CONFIDENCE II NOT TO REPRODUCE OR COPY IT III NOT TO REVEAL OR PUBLISH IT IN WHOLE OR PART IV ALL RIGHTS RESERVED		
BRANCH		PAGE 55 OF 55
SHEET		SHEET 54 OF 54